

NOTES:
 1. STAGE FLOOR COVERED WITH CARPET.
 2. STOCK PLATFORM NEEDED BEHIND S.L. HOUSE FOR ACTORS WHEN THEY ENTER HOUSE.
 3. TABLES SHOWN FOR SCALE AND APPROXIMATE PLACEMENT.
 4. SOFT GOOD'S EXACT PLACEMENT STILL IN DISCUSSION.
 5. SEE DESIGNER FOR QUESTIONS.

Plate # **1** of 6

DETROIT
 GLADIS MULLENIX-BLACK THEATRE
 ALLEGHENY COLLEGE
GROUND PLAN SCALE 1/2"=1'-0"
 DIRECTOR: MARK COSDON DESIGNER: ANDREA BALL
 DRAWINGS BY: ANDREA BALL REVISION: 01-23-18

NOTES:
 1. STAGE LEFT SIDE DASHED FOR REFERENCE.
 2. STAGE FLOOR COVERED WITH CARPET.
 3. SEE DESIGNER FOR QUESTIONS.

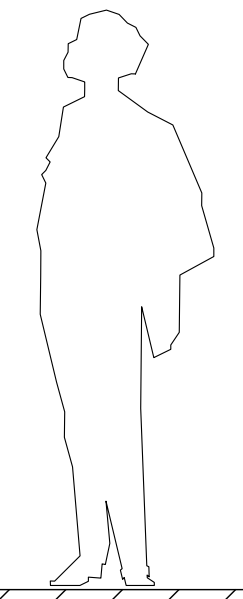
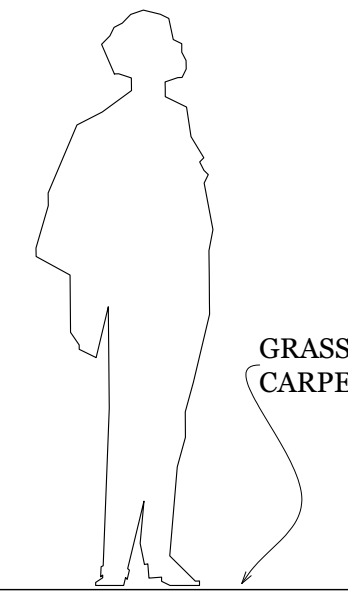
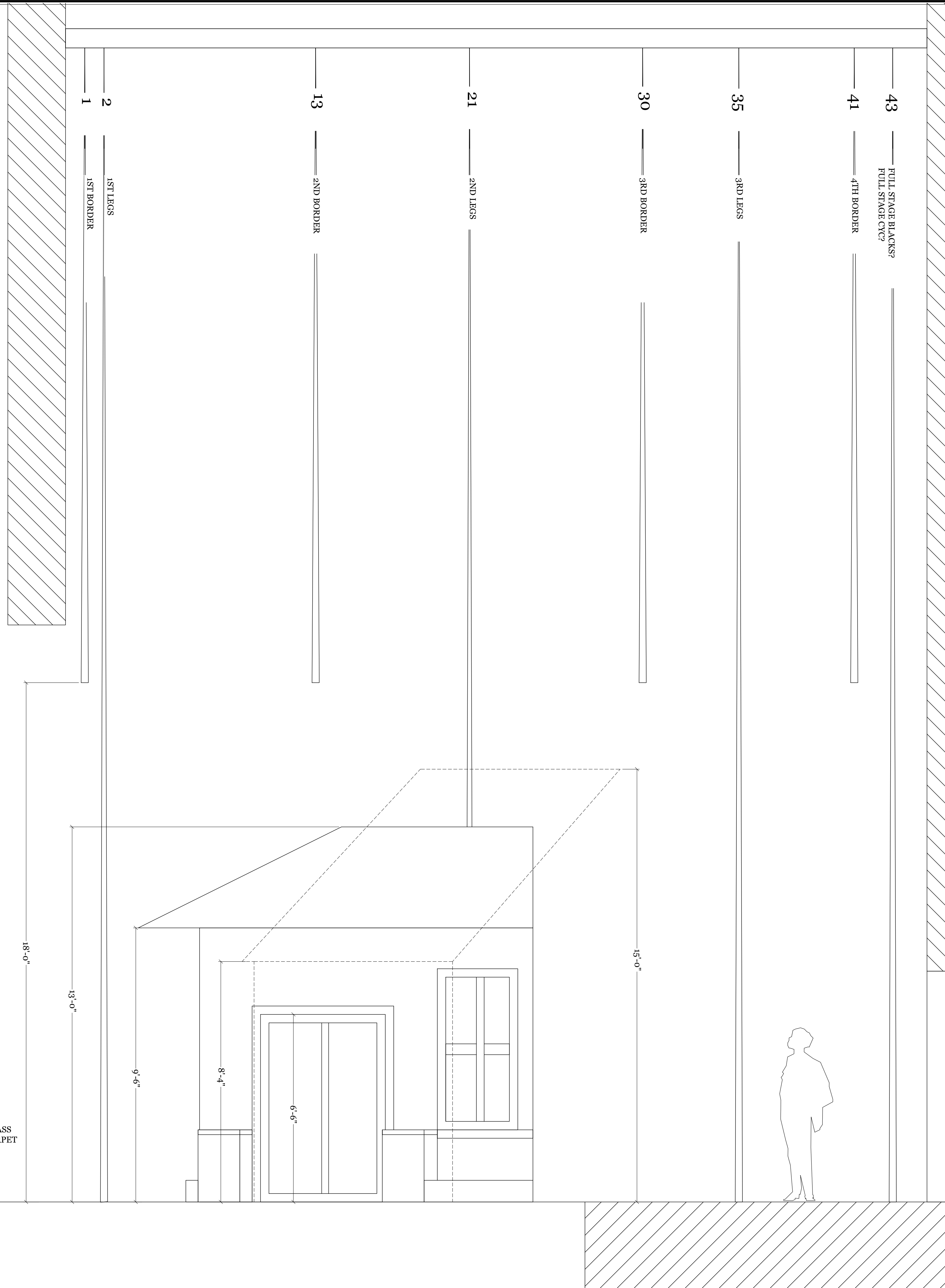


Plate #
2
 of 6

DETROIT
 GLADIS MULLENIX-BLACK THEATRE
 ALLEGHENY COLLEGE
 S.R. C.L. SECTION SCALE 1/2"=1'-0"
 DIRECTOR: MARK COSDON DESIGNER: ANDREA BALL
 DRAWINGS BY: ANDREA BALL REVISION: 01-31-18

43
41
39
37
35
33
32
30
29
28
27
26
25
24
23
22
21
20
19
18
17
15
14
13
12
11
10
9
8
7
6
5
4
3
2
1

NOTES:
1. STAGE FLOOR COVERED WITH CARPET.
2. LANDING OF FALLING WALL NOT SHOWN.
3. STOCK PLATFORM NEEDED BEHIND S.L. HOUSE FOR ACTORS WHEN THEY ENTER HOUSE.
4. SEE DESIGNER FOR QUESTIONS.

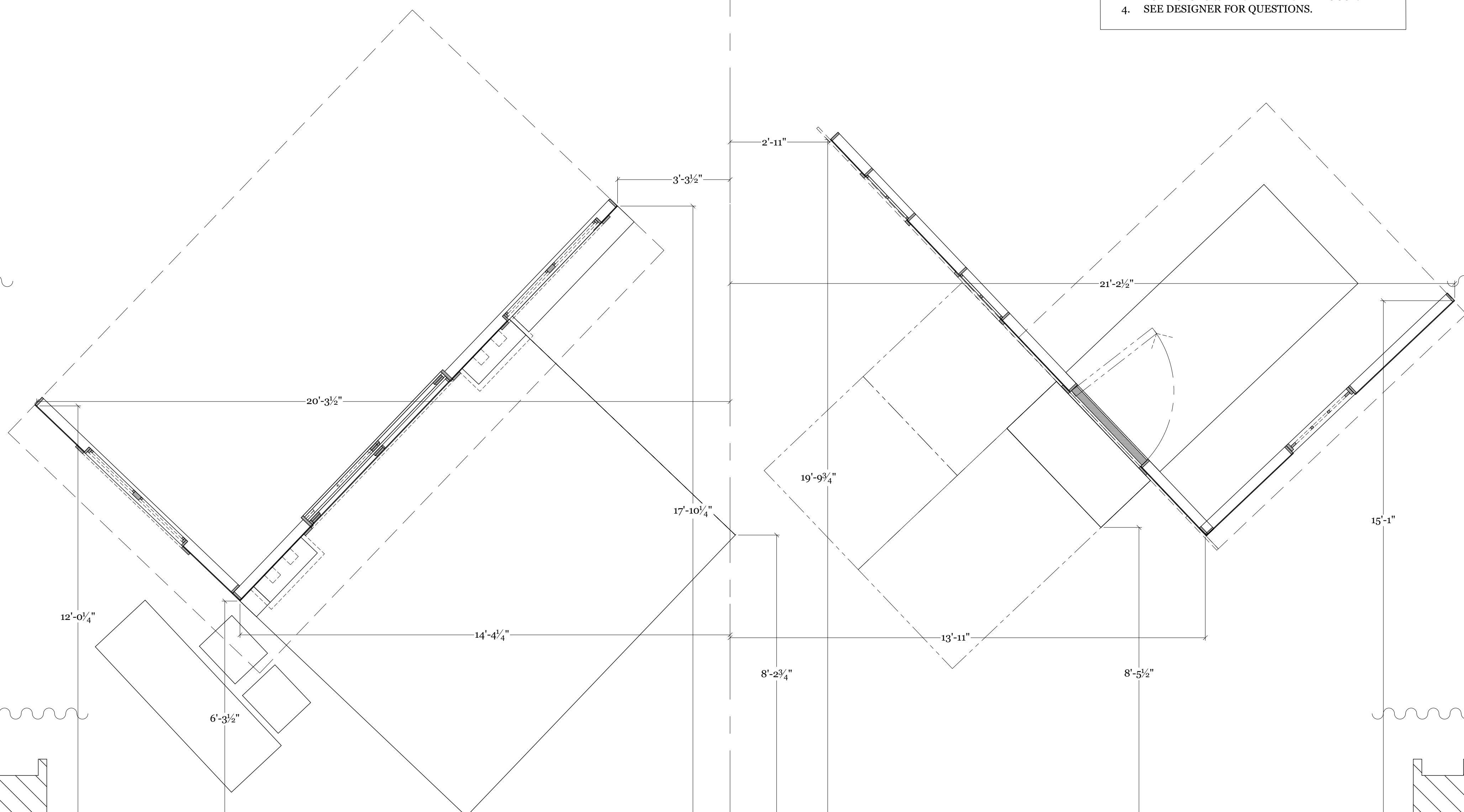
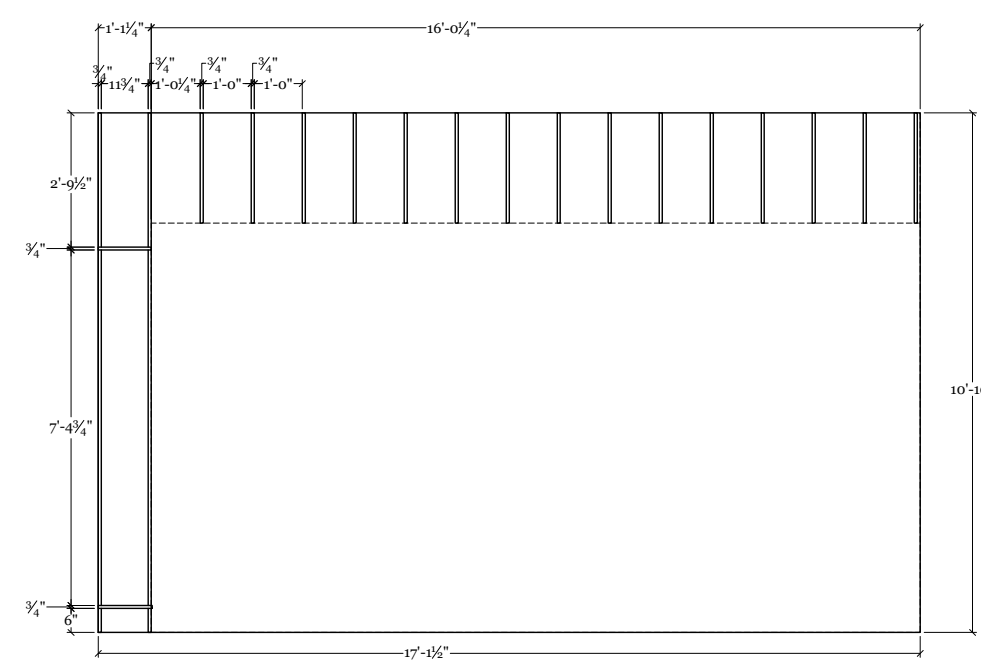


Plate # **3** of 6

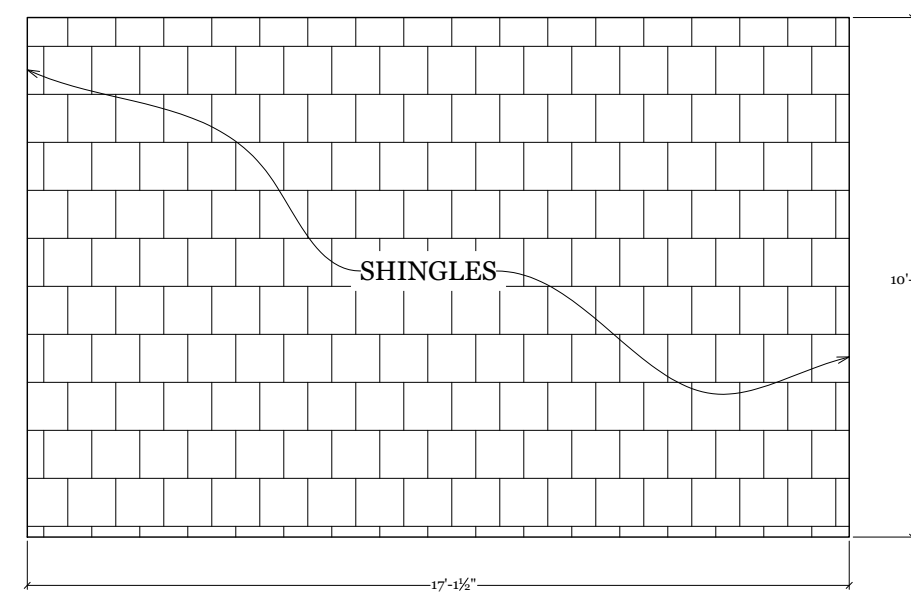
DETROIT
GLADIS MULLENIX-BLACK THEATRE
ALLEGHENY COLLEGE
DECK LAYOUT SCALE: 1/2" = 1'-0"
DIRECTOR: MARK COSDON DESIGNER: ANDREA BALL
DRAWINGS BY: ANDREA BALL REVISION: 01-31-18



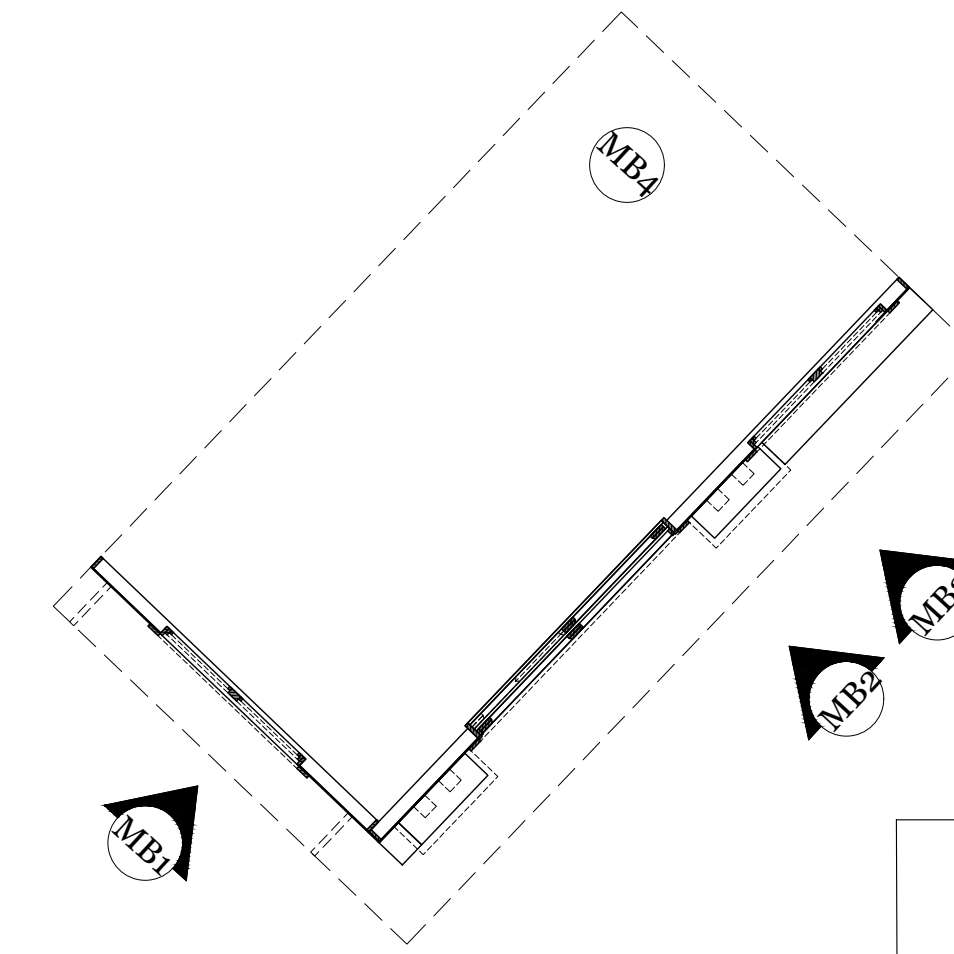
ROOF OF MB HOUSE
BOTTOM VIEW MB1



ROOF OF MB HOUSE
SIDE VIEW MB2

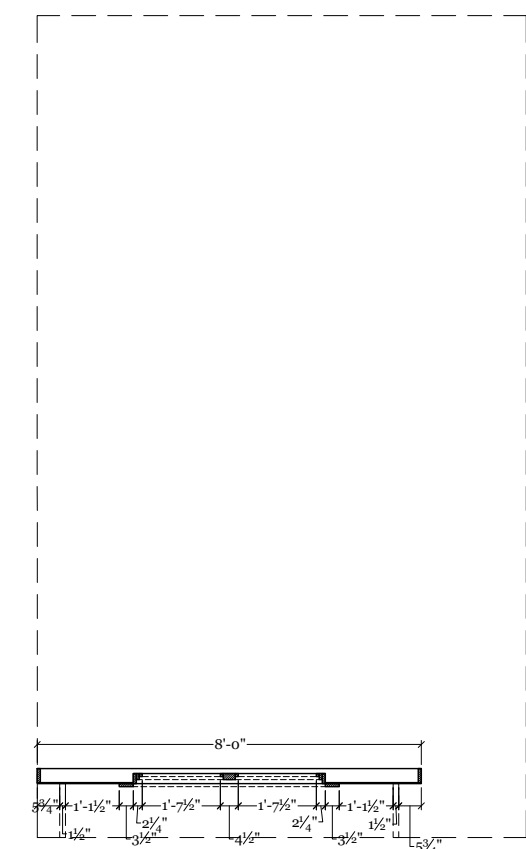


ROOF OF MB HOUSE
TOP VIEW MB3

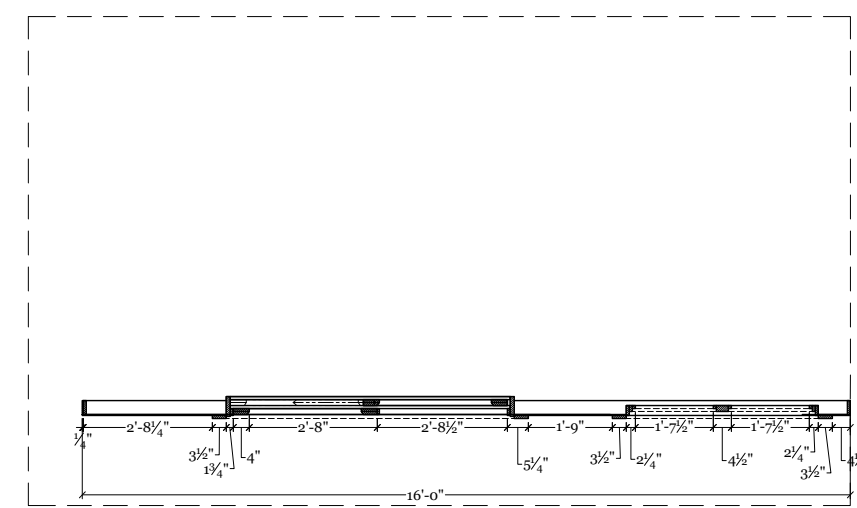


MB HOUSE
REFERENCE GROUND PLAN

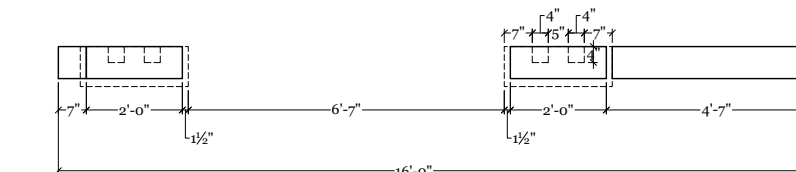
- NOTES:
1. STAGE FLOOR COVERED WITH CARPET.
 2. LABELING HAS SUGGESTIONS FOR SURFACE COVERINGS, BUT CAN BE SWAPPED WITH DESIGNER APPROVAL.
 3. SEE DESIGNER FOR QUESTIONS.



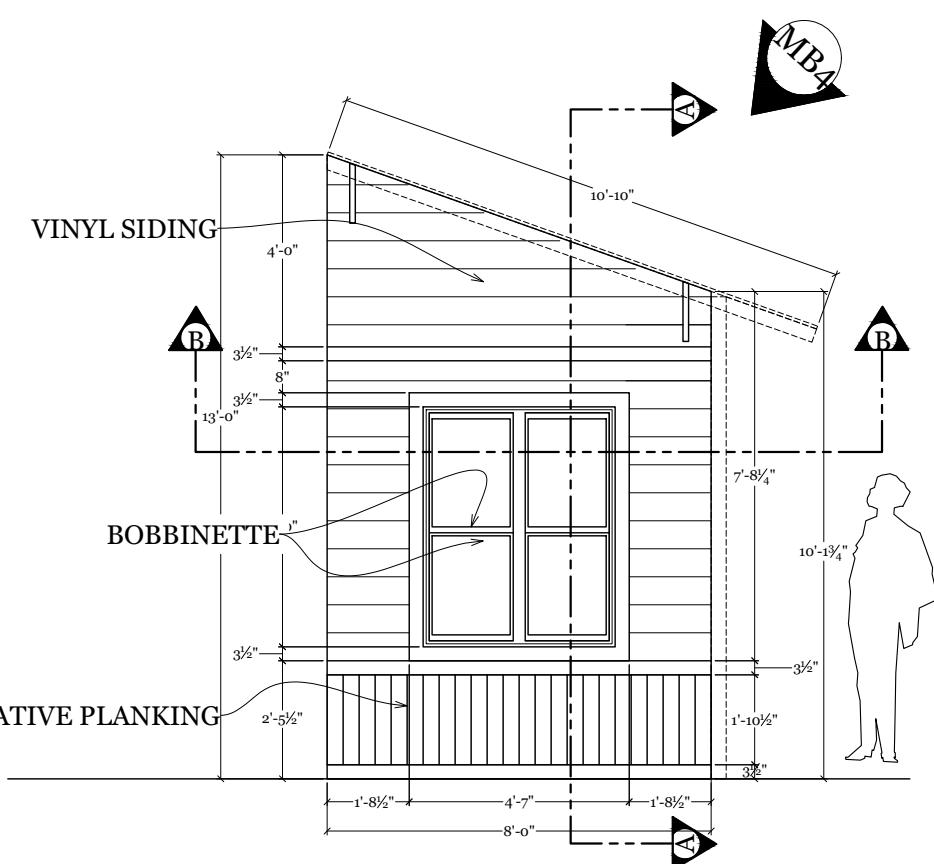
SIDE OF MB HOUSE
SECTION B-B MB4



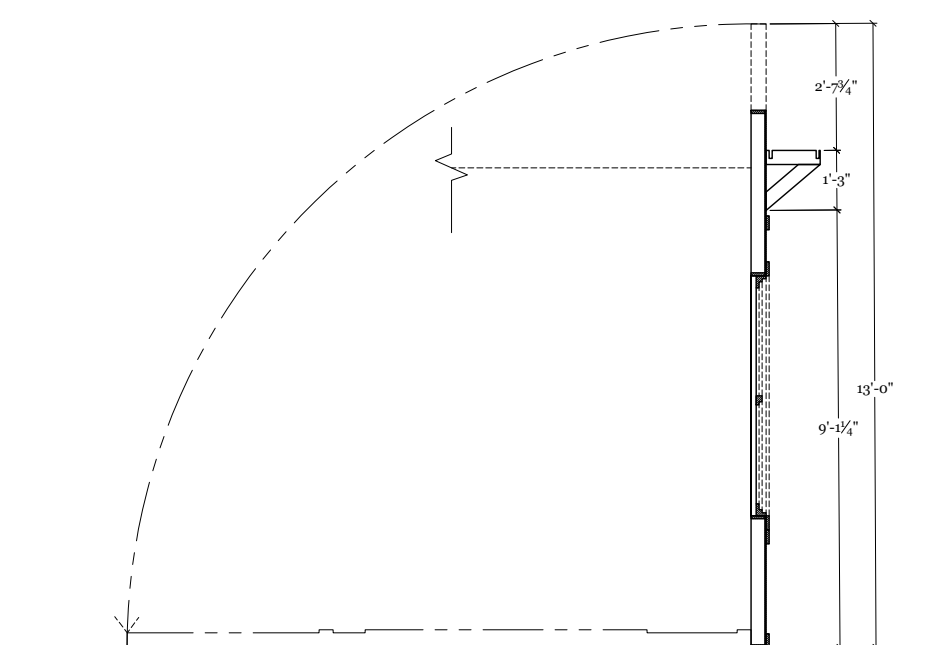
FRONT OF MB HOUSE
SECTION D-D MB5



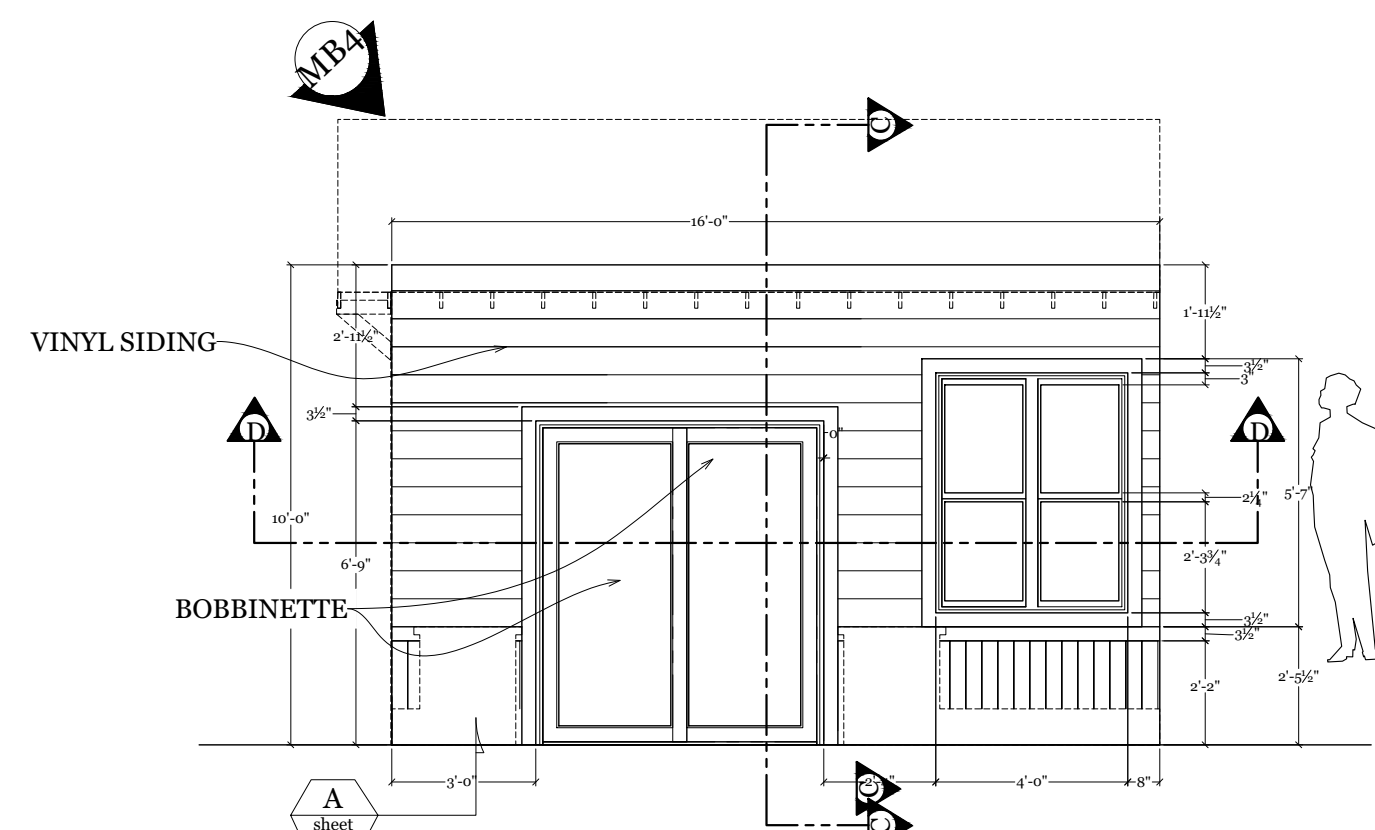
PILLARS OF MB HOUSE
TOP VIEW MB6



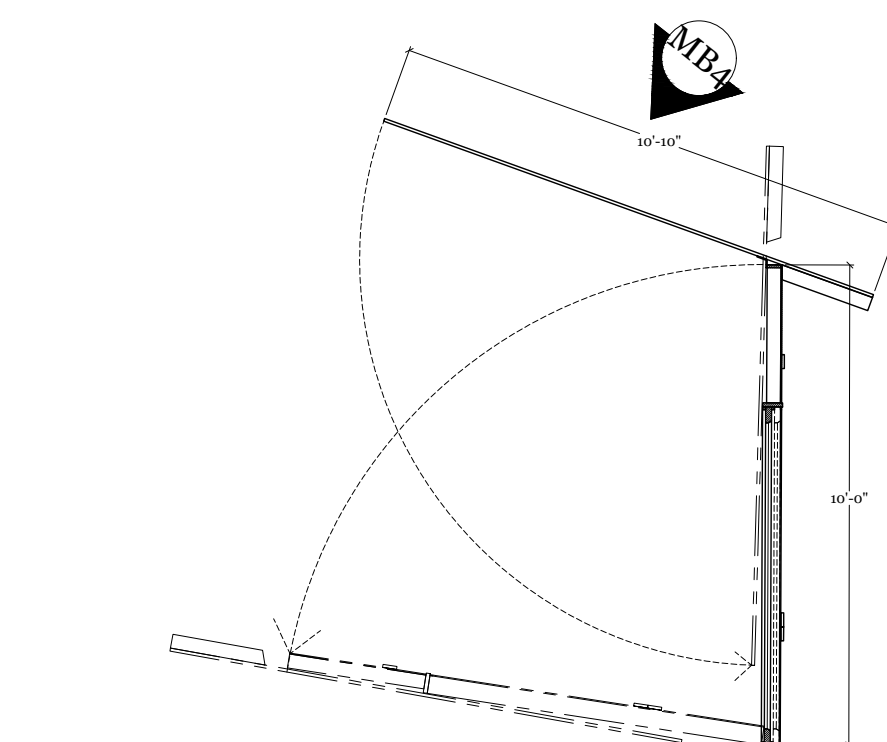
SIDE OF MB HOUSE
ELEVATION MB7



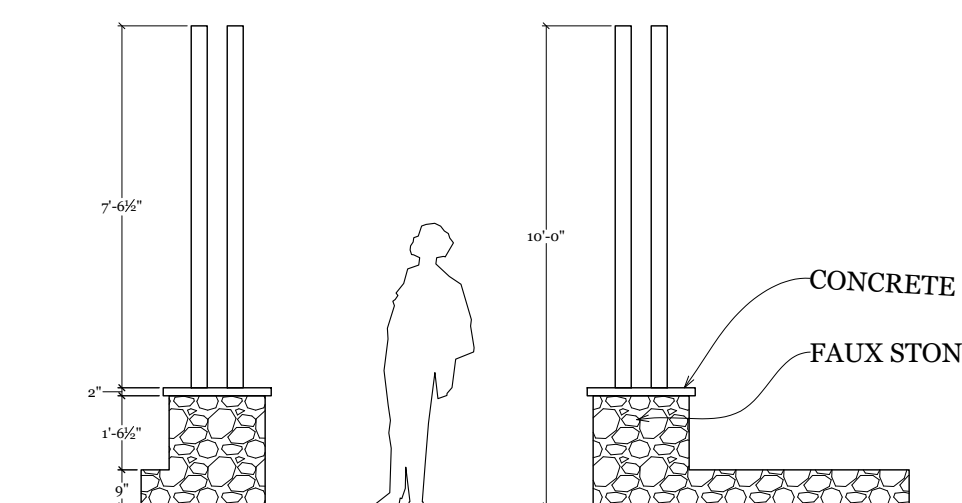
SIDE OF MB HOUSE
SECTION A-A MB8



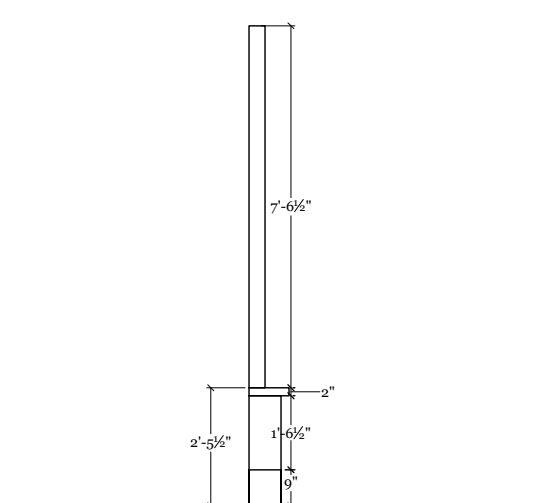
FRONT OF MB HOUSE
ELEVATION MB9



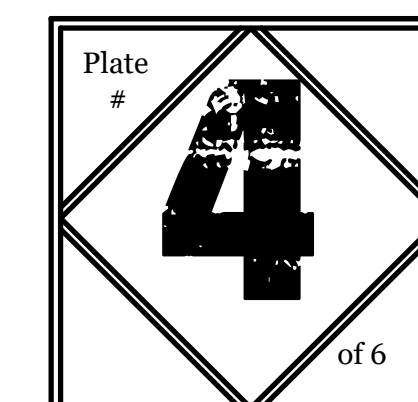
FRONT OF MB HOUSE
SECTION C-C MB10



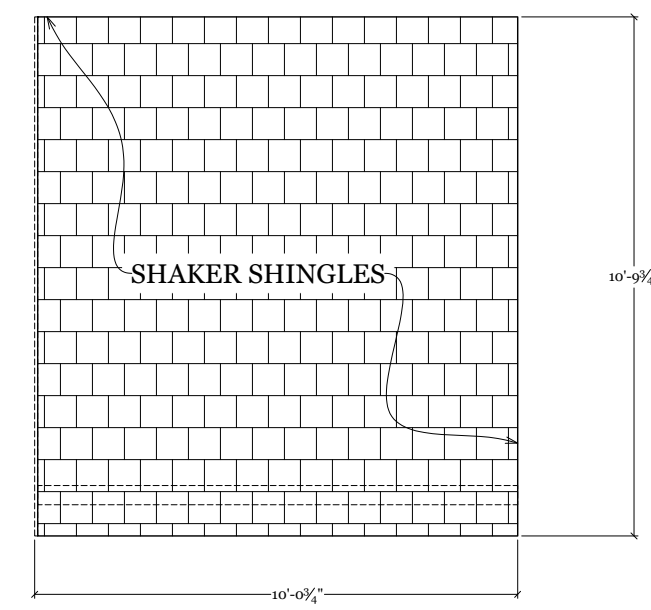
PILLARS OF MB HOUSE
ELEVATION MB11



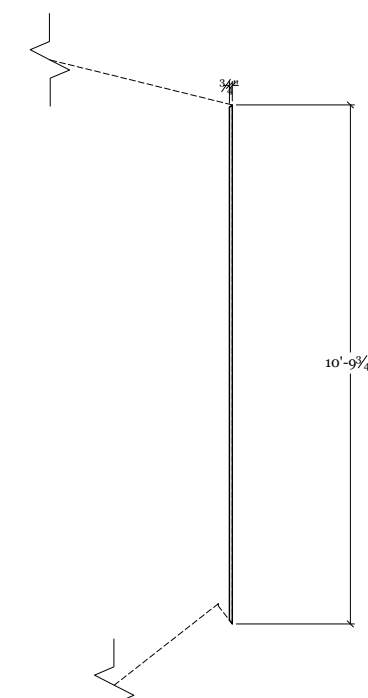
PILLARS OF MB HOUSE
SIDE VIEW MB12



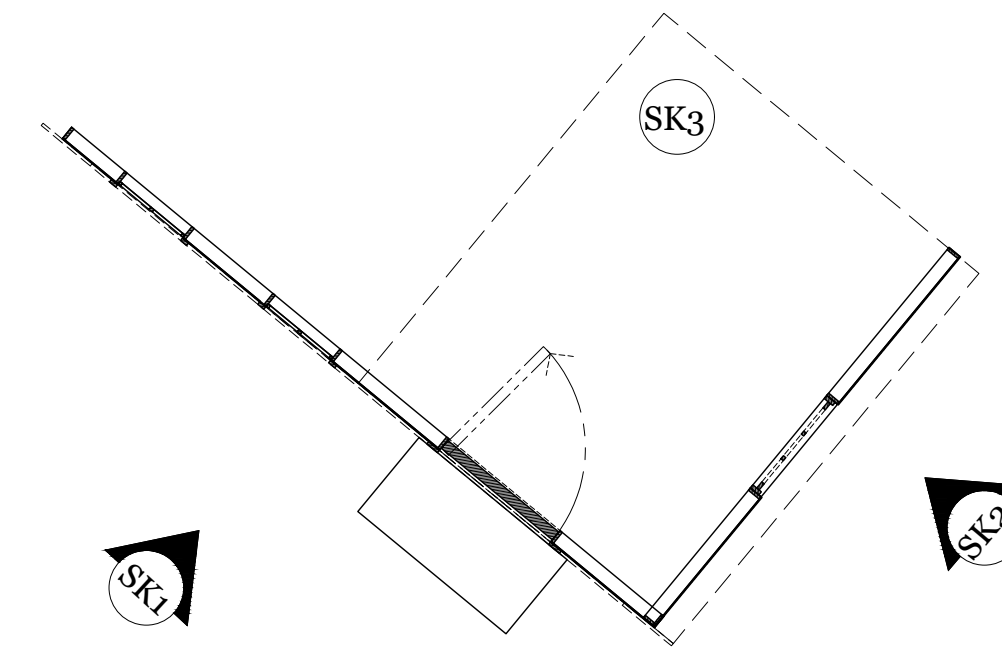
DETROIT	
GLADIS MULLENIX-BLACK THEATRE ALLEGHENY COLLEGE	
KENNY AND SHARON'S HOUSE	SCALE 1/4" = 1'-0"
DIRECTOR: MARK COSDON	DESIGNER: ANDREA BALL
DRAWINGS BY: ANDREA BALL	REVISION: 02-01-18



ROOF OF SK HOUSE
TOP VIEW SK1

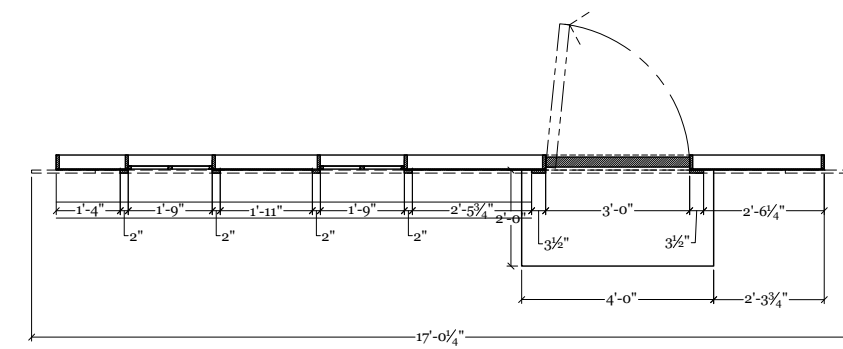


ROOF OF SK HOUSE
SIDE VIEW

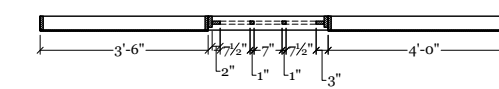


SK HOUSE
REFERENCE GROUND PLAN

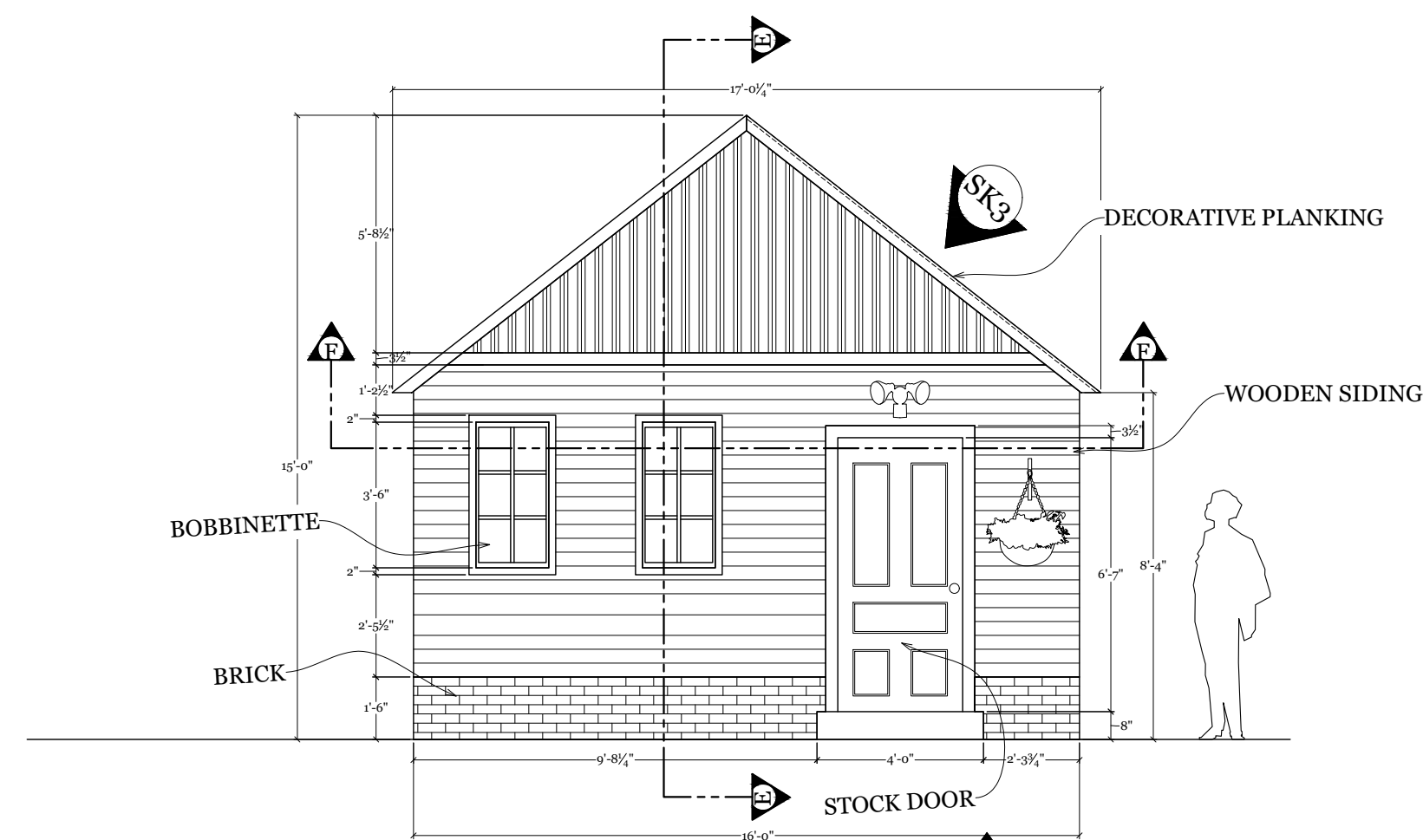
- NOTES:
1. STAGE FLOOR COVERED WITH CARPET.
 2. LABELING HAS SUGGESTIONS FOR SURFACE COVERINGS, BUT CAN BE SWAPPED WITH DESIGNER APPROVAL.
 3. SEE DESIGNER FOR QUESTIONS.



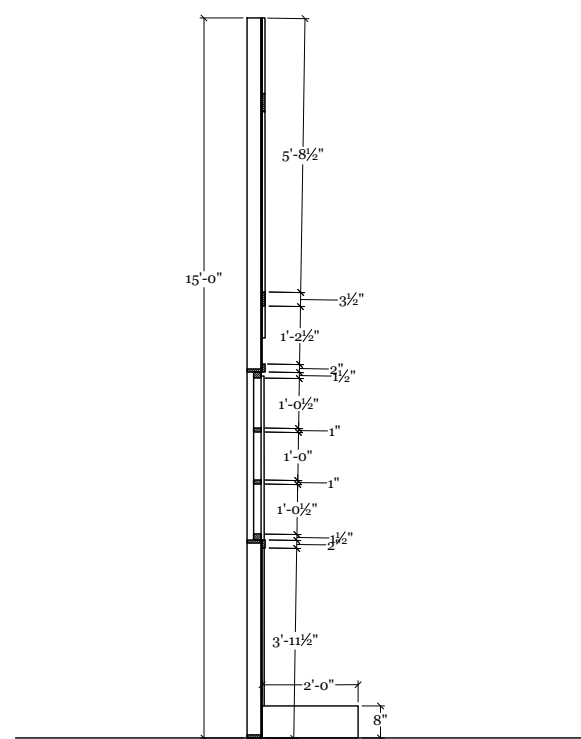
FRONT OF SK HOUSE
SECTION F-F



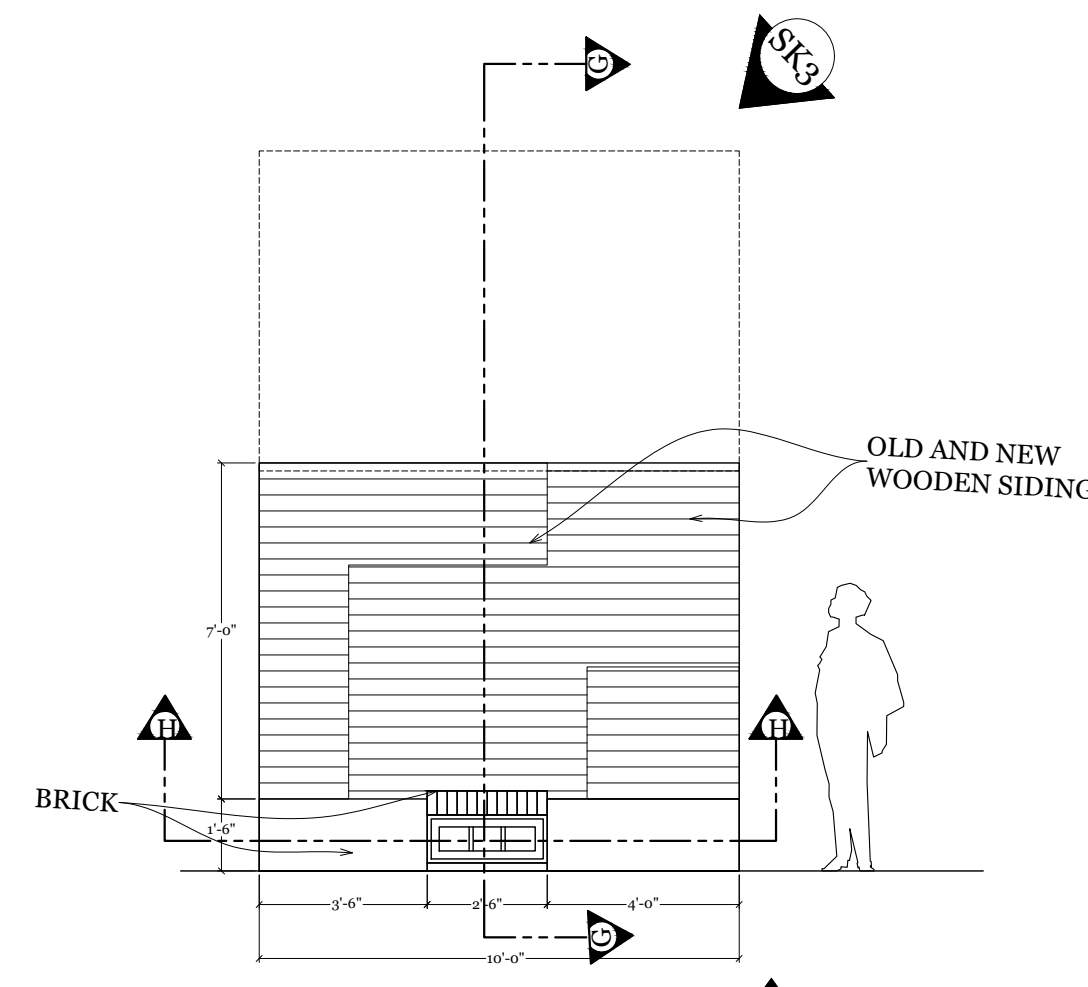
SIDE OF SK HOUSE
SECTION G-G



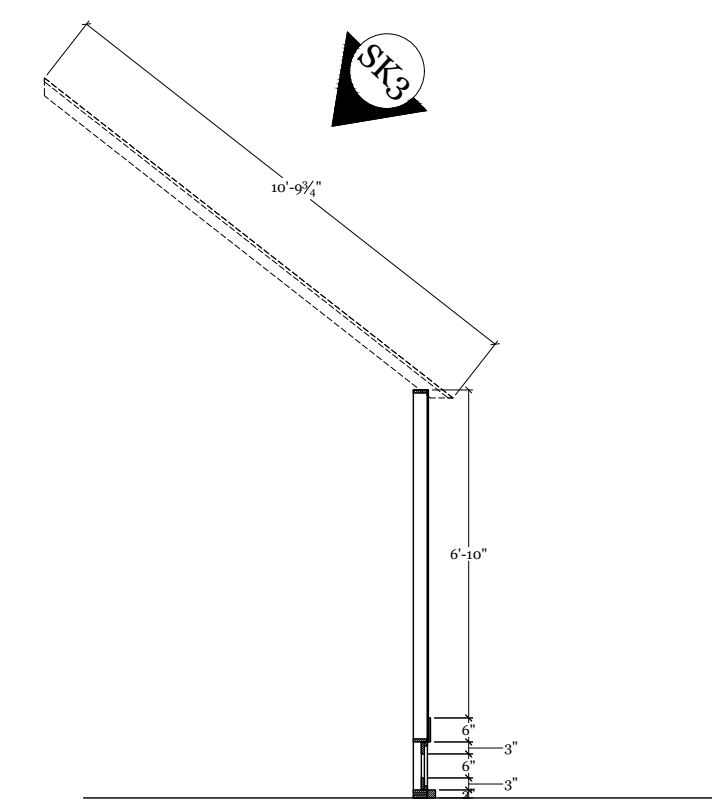
FRONT OF SK HOUSE
ELEVATION SK1



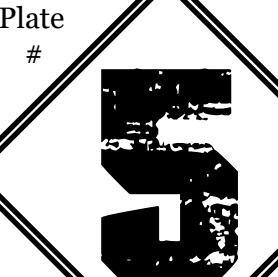
FRONT OF SK HOUSE
SECTION E-E

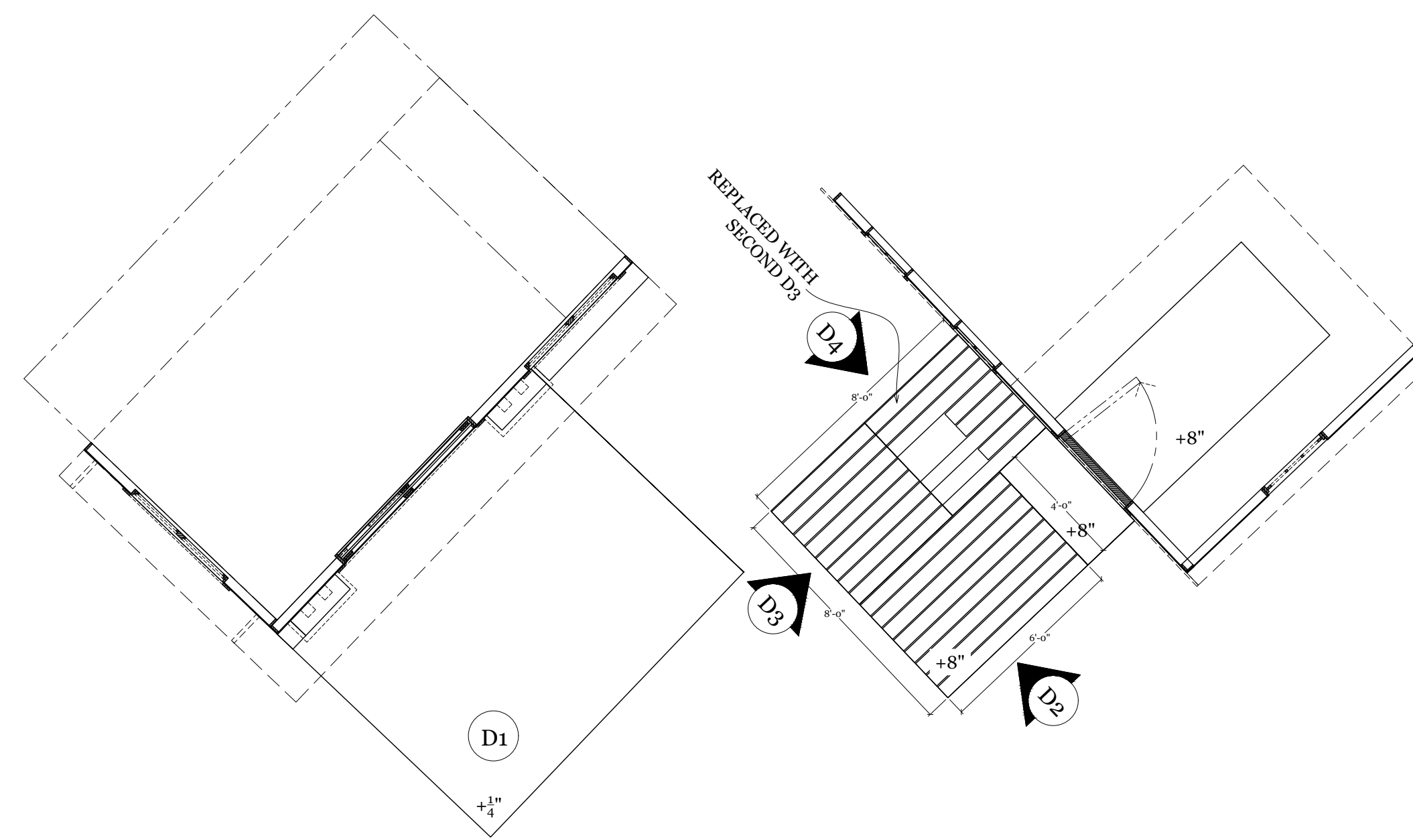


SIDE OF SK HOUSE
ELEVATION SK1

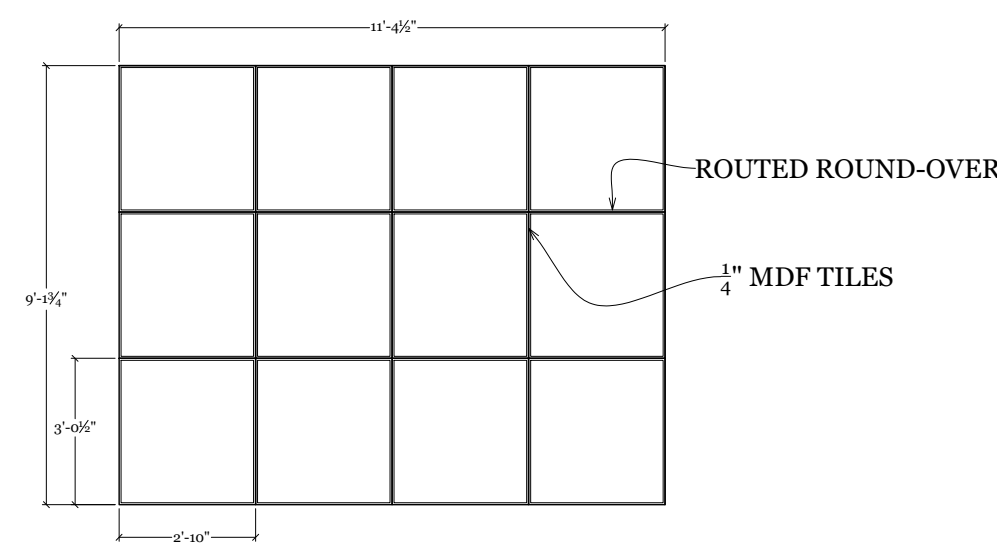


SIDE OF SK HOUSE
SECTION G-G

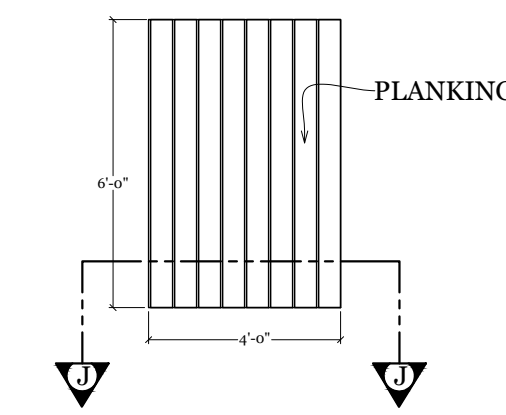
Plate #  of 6	DETROIT GLADIS MULLENIX-BLACK THEATRE ALLEGHENY COLLEGE	
	KENNY AND SHARON'S HOUSE	SCALE $\frac{1}{4}'' = 1'-0''$
DIRECTOR: MARK COSDON DRAWINGS BY: ANDREA BALL	DESIGNER: ANDREA BALL REVISION: 02-01-18	



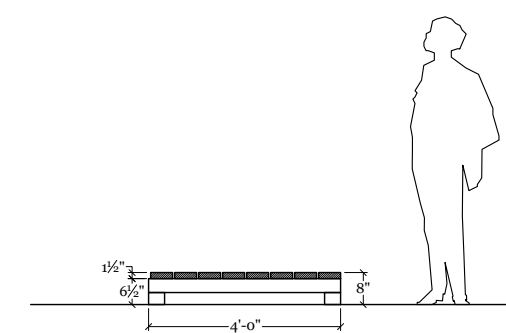
DECKS
REFERENCE



DECK OF MB HOUSE
TOP VIEW D1



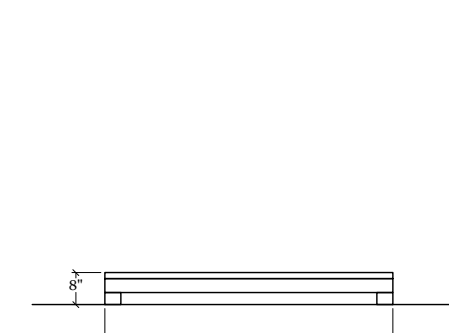
DECK OF SK HOUSE
TOP VIEW D2



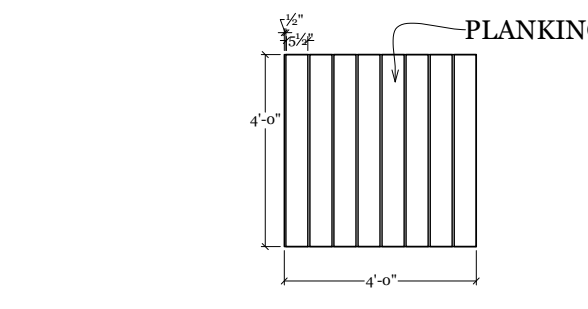
DECK OF SK HOUSE
SECTION J-J



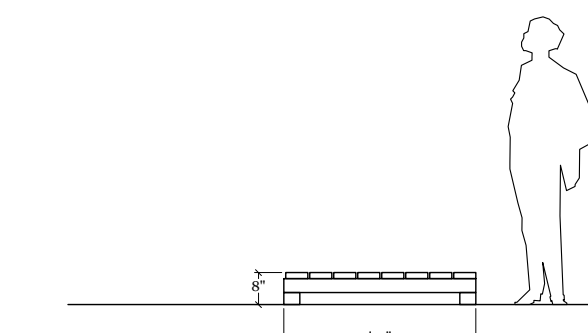
DECK OF SK HOUSE
TOP VIEW BUILD 2 D3



DECK OF SK HOUSE
SECTION J-J



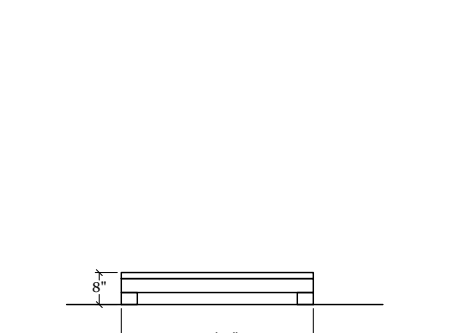
DECK OF SK HOUSE
TOP VIEW BUILD 2 D3



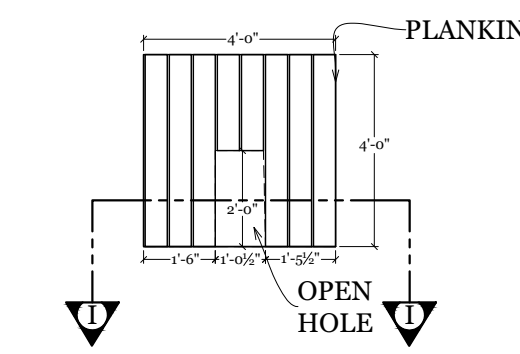
DECK OF SK HOUSE
FRONT VIEW-BUILD 2



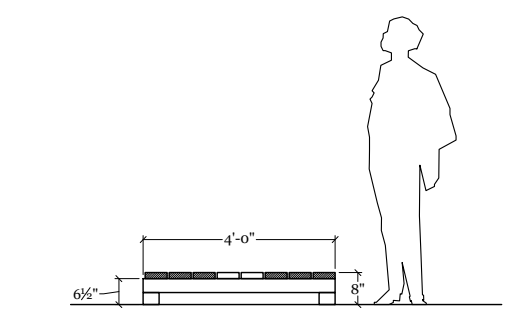
DECK OF SK HOUSE
TOP VIEW D4



DECK OF SK HOUSE
SIDE VIEW-BUILD 2

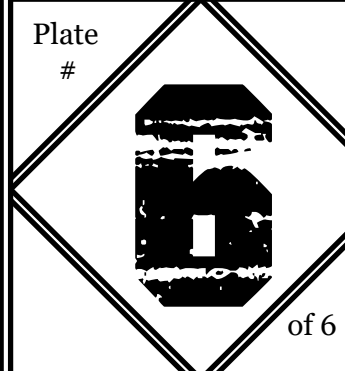


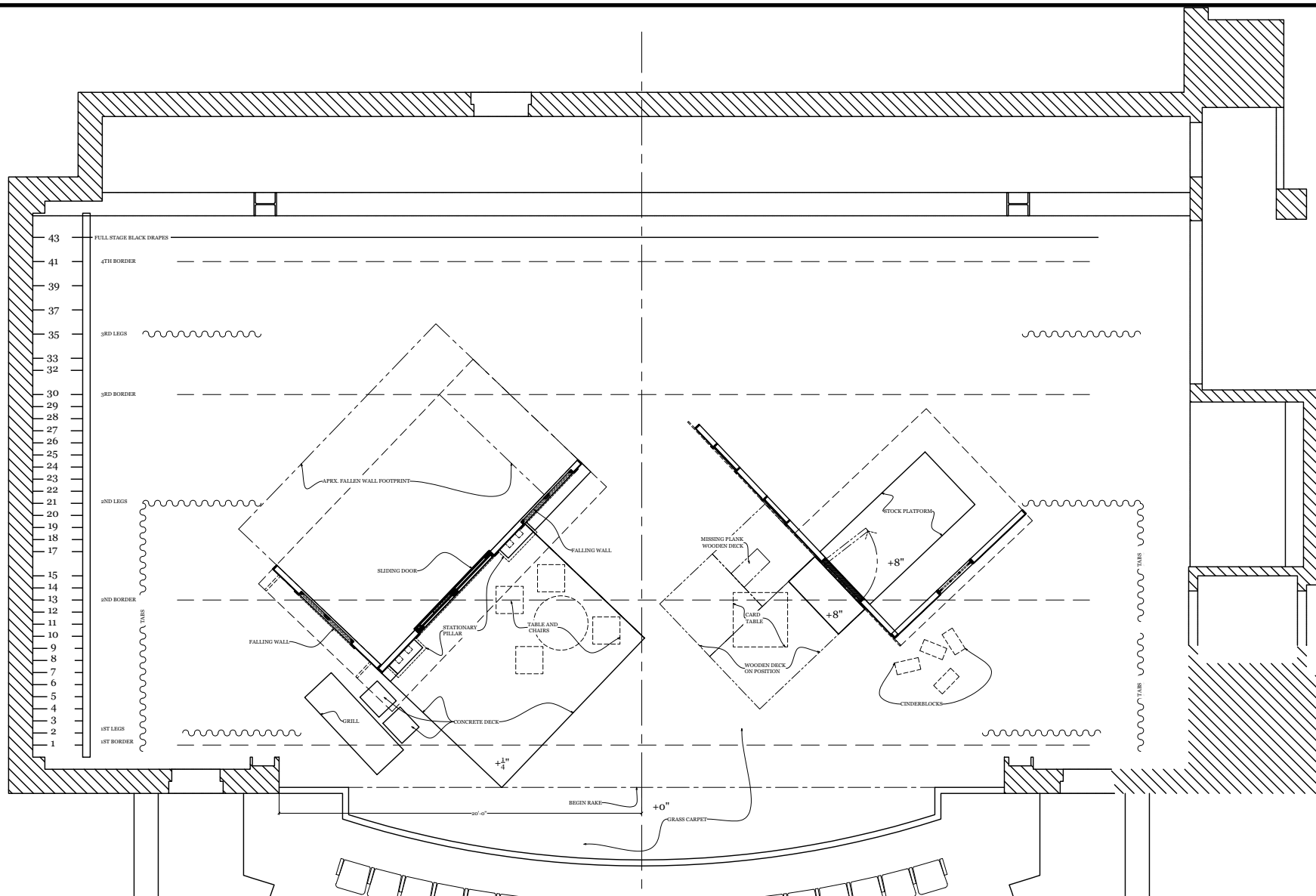
DECK OF SK HOUSE
TOP VIEW D4



DECK OF SK HOUSE
SECTION I-I

- NOTES:
1. D4 ONLY USED FOR SCENE WHERE BEN FALLS THROUGH THE DECK. AFTER THIS SCENE D4 IS SWITCHED OUT FOR A SECOND D3.
 2. STAGE FLOOR COVERED WITH CARPET.
 3. LABELING HAS SUGGESTIONS FOR SURFACE COVERINGS, BUT CAN BE SWAPPED WITH DESIGNER APPROVAL.
 4. SEE DESIGNER FOR QUESTIONS.

Plate #  of 6	DETROIT GLADIS MULLENIX-BLACK THEATRE ALLEGHENY COLLEGE	
	DECKS	SCALE $\frac{1}{4}'' = 1'-0''$
	DIRECTOR: MARK COSDON DRAWINGS BY: ANDREA BALL	DESIGNER: ANDREA BALL REVISION: 02-01-18



NOTES:

1. STAGE FLOOR COVERED WITH CARPET.
2. STOCK PLATFORM NEEDED BEHIND S.L. HOUSE FOR ACTORS WHEN THEY ENTER HOUSE.
3. TABLES SHOWN FOR SCALE AND APPROXIMATE PLACEMENT.
4. SOFT GOOD'S EXACT PLACEMENT STILL IN DISCUSSION.
5. SEE DESIGNER FOR QUESTIONS.

Plate # **1** of 3

DETROIT	
GLADIS MULLENIX-BLACK THEATRE ALLEGHENY COLLEGE	
GROUND PLAN	SCALE $\frac{1}{8}'' = 1'-0''$
DIRECTOR: MARK COSDON	DESIGNER: ANDREA BALL
DRAWINGS BY: ANDREA BALL	REVISION: 01-23-18

NOTES:

1. STAGE LEFT SIDE DASHED FOR REFERENCE.
2. STAGE FLOOR COVERED WITH CARPET.
3. SEE DESIGNER FOR QUESTIONS.

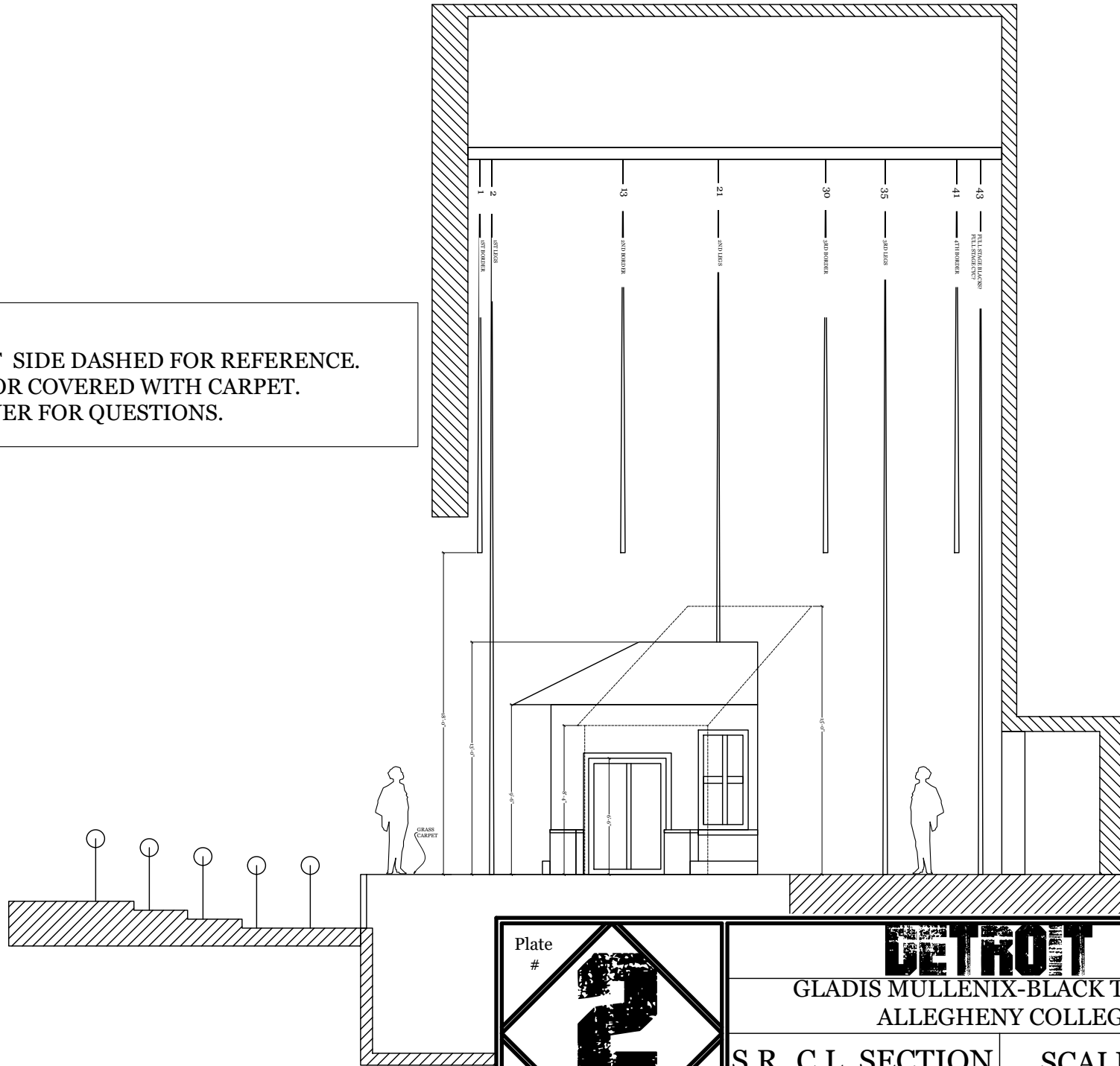
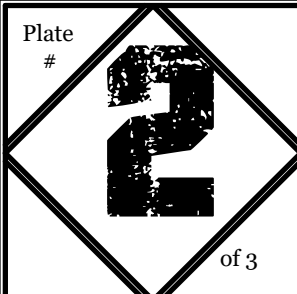


Plate
#



of 3

DETROIT

GLADIS MULLENIX-BLACK THEATRE
ALLEGHENY COLLEGE

S.R. C.L. SECTION

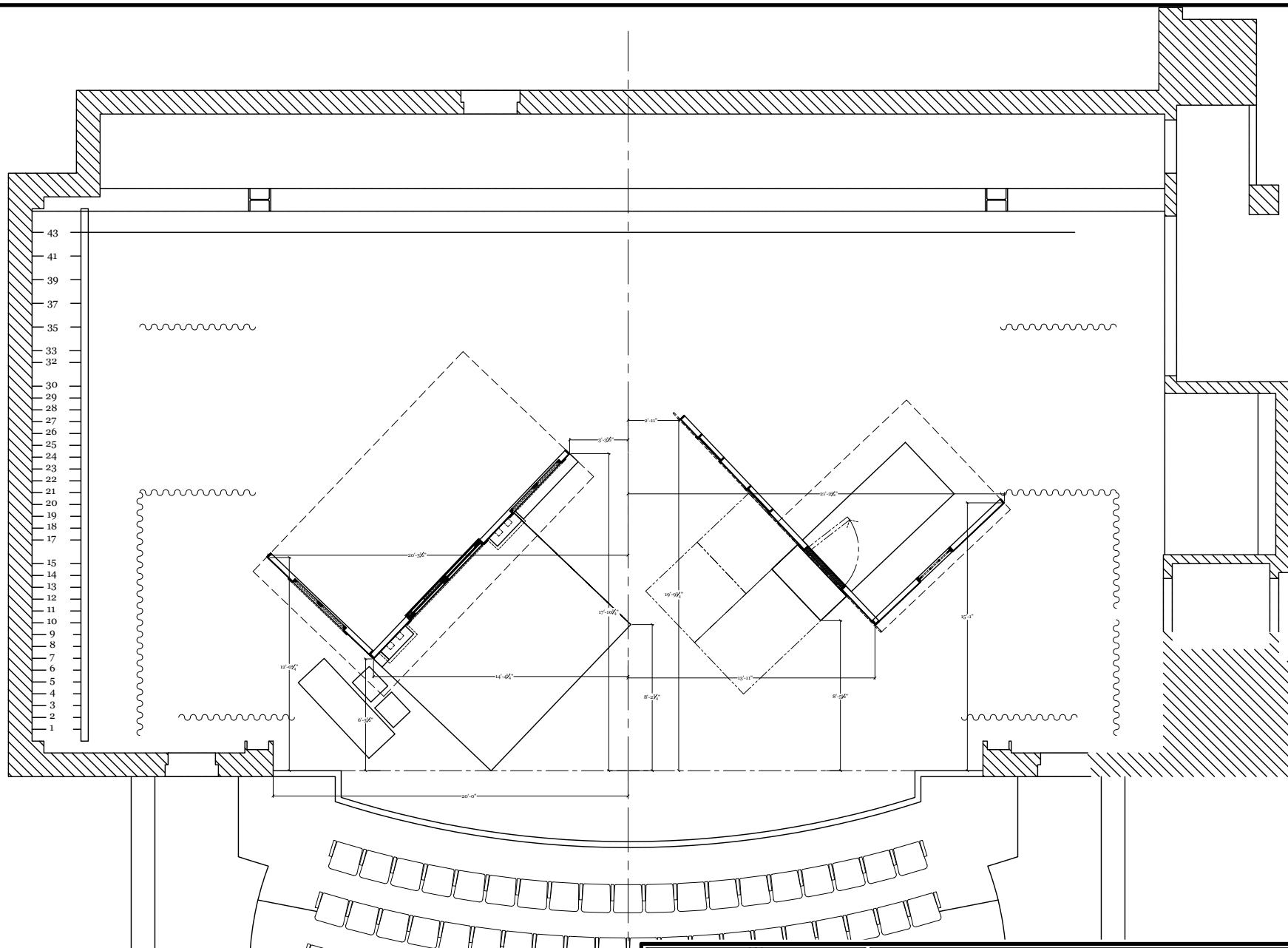
SCALE $\frac{1}{8}'' = 1'-0''$

DIRECTOR: MARK COSDON

DESIGNER: ANDREA BALL

DRAWINGS BY: ANDREA BALL

REVISION: 01-23-18



NOTES:

1. STAGE LEFT SIDE DASHED FOR REFERENCE.
2. BOTH HOUSES SIT ON THE RAKE.
3. RAKE COVERED WITH CARPET.
4. SOFT GOOD PLACEMENT STILL IN DISCUSSION.
5. SEE DESIGNER FOR QUESTIONS.

Plate #

3

of 3

DETROIT	
GLADIS MULLENIX-BLACK THEATRE ALLEGHENY COLLEGE	
DECK LAYOUT	SCALE $\frac{1}{8}'' = 1'-0''$
DIRECTOR: MARK COSDON	DESIGNER: ANDREA BALL
DRAWINGS BY: ANDREA BALL	REVISION: 01-23-18