

- 27 (EMPTY)
- 26 (EMPTY)
- 25 (EMPTY)
- 24 (EMPTY)
- 23 (EMPTY)
- 22 (EMPTY)
- 21 (EMPTY)
- 20 (EMPTY)
- 19 (EMPTY)
- 18 (EMPTY)
- 17 (EMPTY)
- 16 (EMPTY)
- 15 RP SCREEN
- 14 LEGS
- 13 BORDER
- 12
- 11 Dedicated Electric
- 10 (EMPTY)
- 9 (EMPTY)
- 8 (EMPTY)
- 7 LEG 1
- 6 BORDER 2
- 5 (EMPTY)
- 4 (EMPTY)
- 3 Dedicated Electric
- 2 (EMPTY)
- 1 (EMPTY)

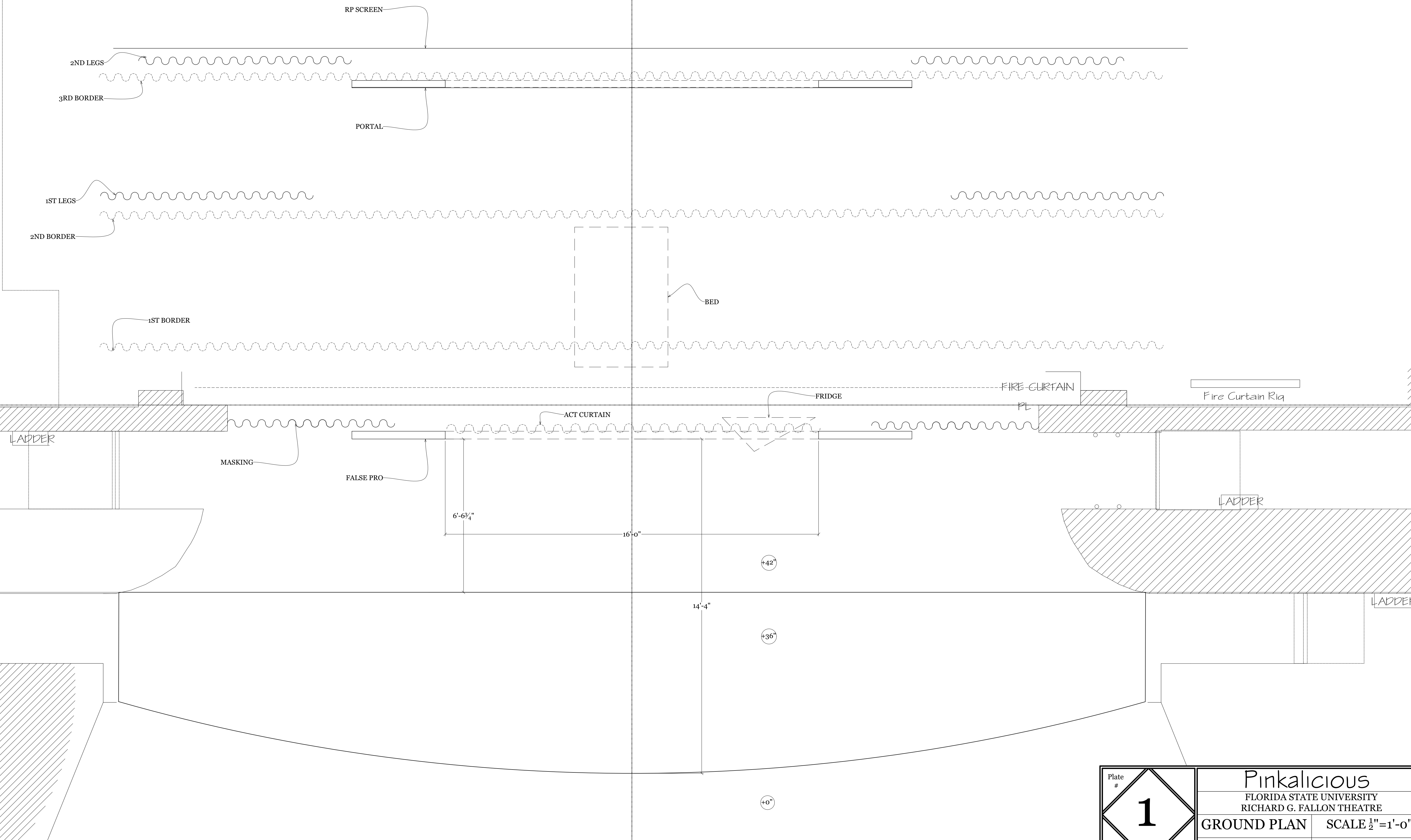


Plate # <div style="font-size: 2em; font-weight: bold; display: inline-block;">1</div> of 6	Pinkalicious FLORIDA STATE UNIVERSITY RICHARD G. FALLON THEATRE	
	GROUND PLAN	SCALE 1/2" = 1'-0"
	DIRECTOR: CHRISTOPHER NUNEZ DRAWINGS BY: ANDREA BALL	DESIGNER: ANDREA BALL Revision: 04-23-18

1st Cove

2nd Form

1st Form

TRUSS

FALSE PRO. MASKING

FALSE PRO

ACT CURTAIN

IN: 16'-0"

IN: 15'-10"

IN: 15'-10"

EMPTY

EMPTY

EMPTY

EMPTY

EMPTY

EMPTY

RP SCREEN

EMPTY

EMPTY

EMPTY

EMPTY

EMPTY

EMPTY

EMPTY

EMPTY

EMPTY

EMPTY

EMPTY

EMPTY

EMPTY

EMPTY

EMPTY

EMPTY

EMPTY

EMPTY

EMPTY

EMPTY

1ST BORDER

2ND BORDER

1ST LEGS

3RD BORDER

2ND LEGS

PORTAL

PROJECTED IMAGE

RP SCREEN

REVOLVE

3'-6"

3'-0"

PIT

12'-6"

16'-0"

16'-0"

12'-0"

2'-0"

Plate # <div style="border: 1px solid black; padding: 5px; display: inline-block; font-size: 2em; font-weight: bold;">2</div>	Pinkalicious FLORIDA STATE UNIVERSITY RICHARD G. FALLON THEATRE	
	SECTION	SCALE 1/2" = 1'-0"
of 6	DIRECTOR: CHRISTOPHER NUNEZ DRAWINGS BY: ANDREA BALL	DESIGNER: ANDREA BALL Revision: 04-23-18

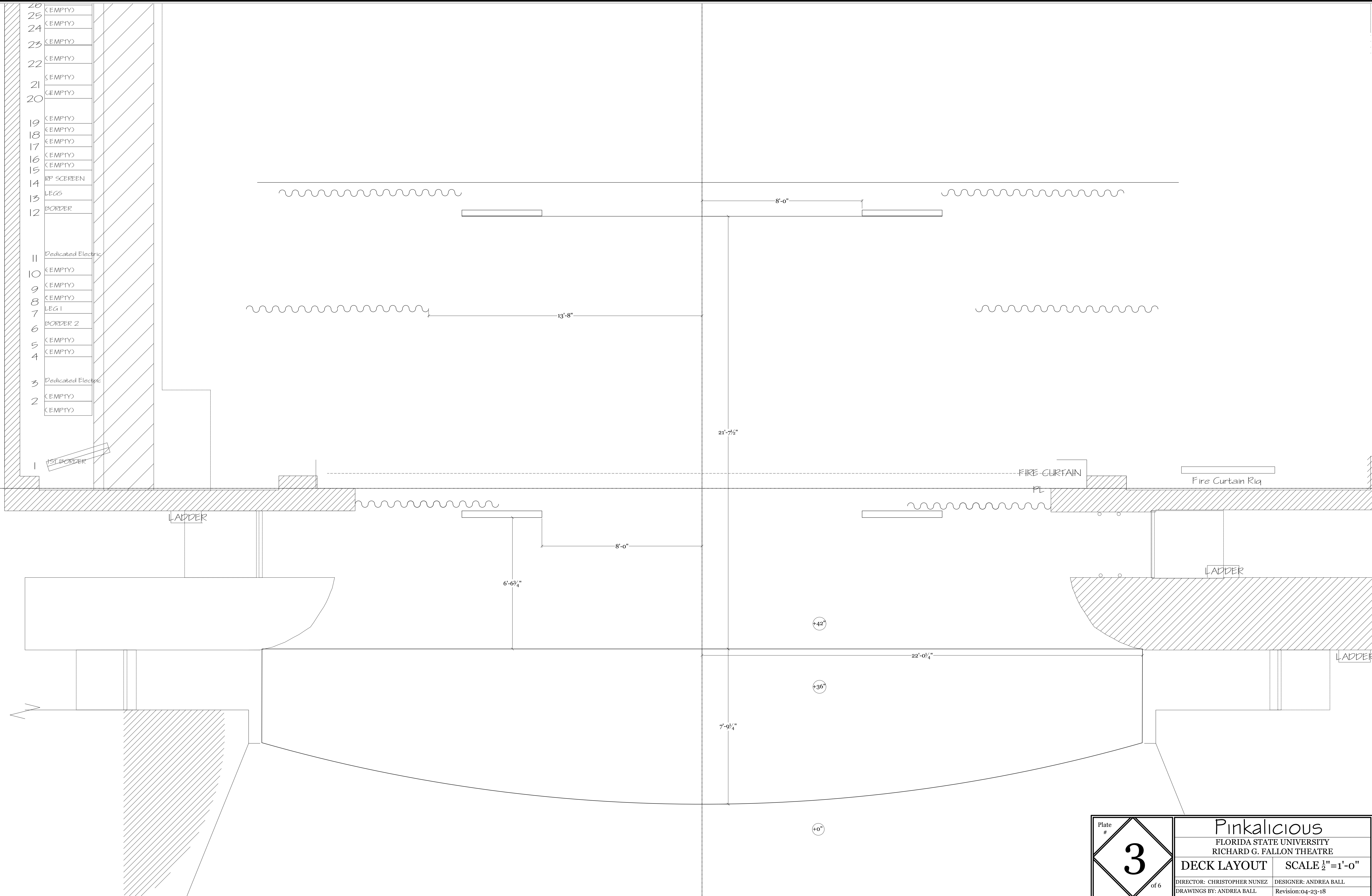
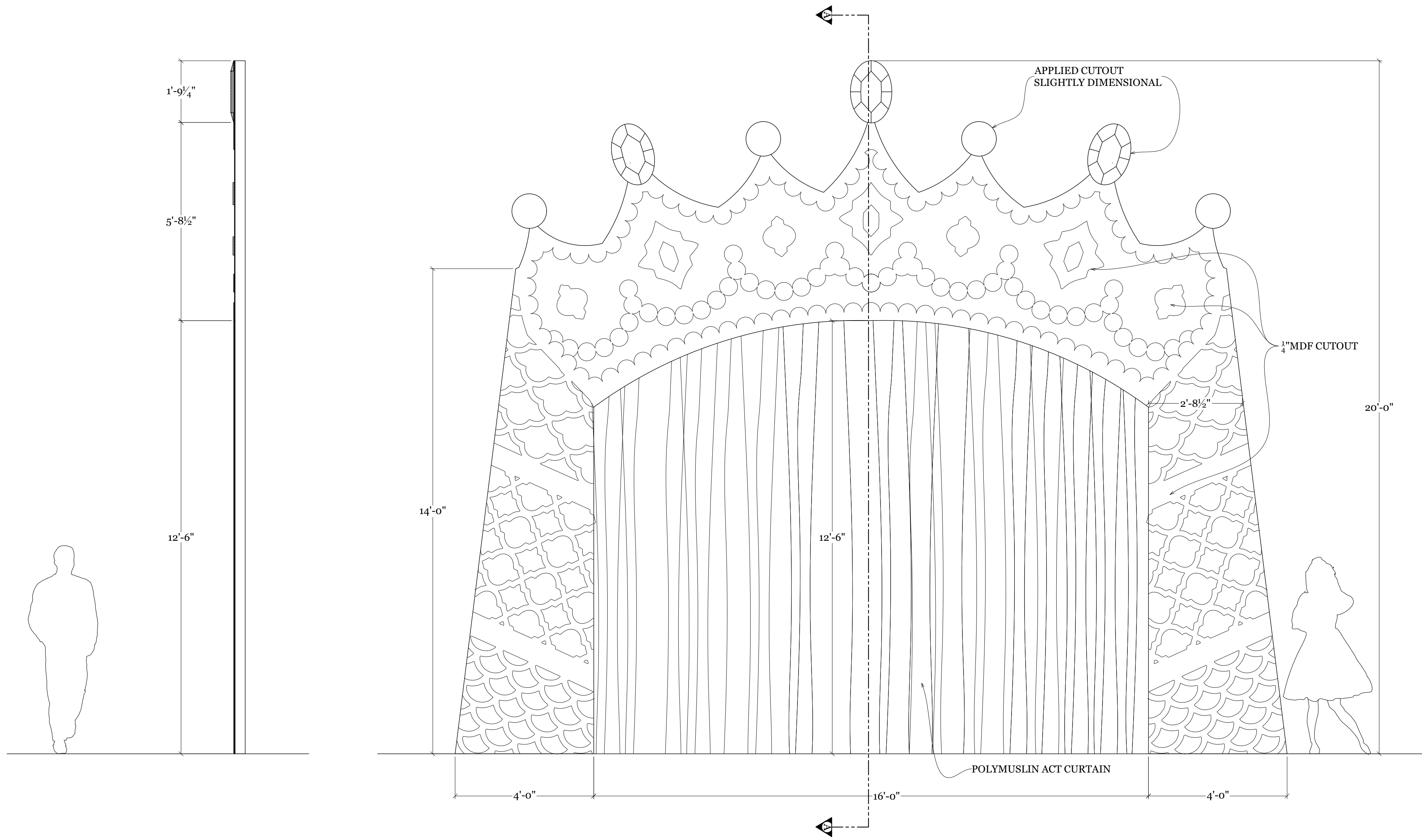


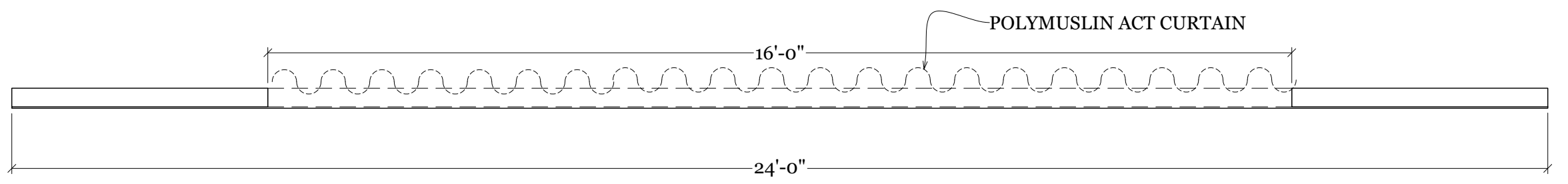
Plate # 3 of 6	Pinkalicious FLORIDA STATE UNIVERSITY RICHARD G. FALLON THEATRE	
	DECK LAYOUT	SCALE 1/2" = 1'-0"
DIRECTOR: CHRISTOPHER NUNEZ DRAWINGS BY: ANDREA BALL	DESIGNER: ANDREA BALL Revision: 04-23-18	



- NOTES:
1. ACT CURTAIN POSITIONED BEHIND FALSE PRO.
 2. ALL RIGGING FOR ACT CURTAIN SHOULD BE HIDDEN.
 3. SEE DESIGNER FOR QUESTIONS.

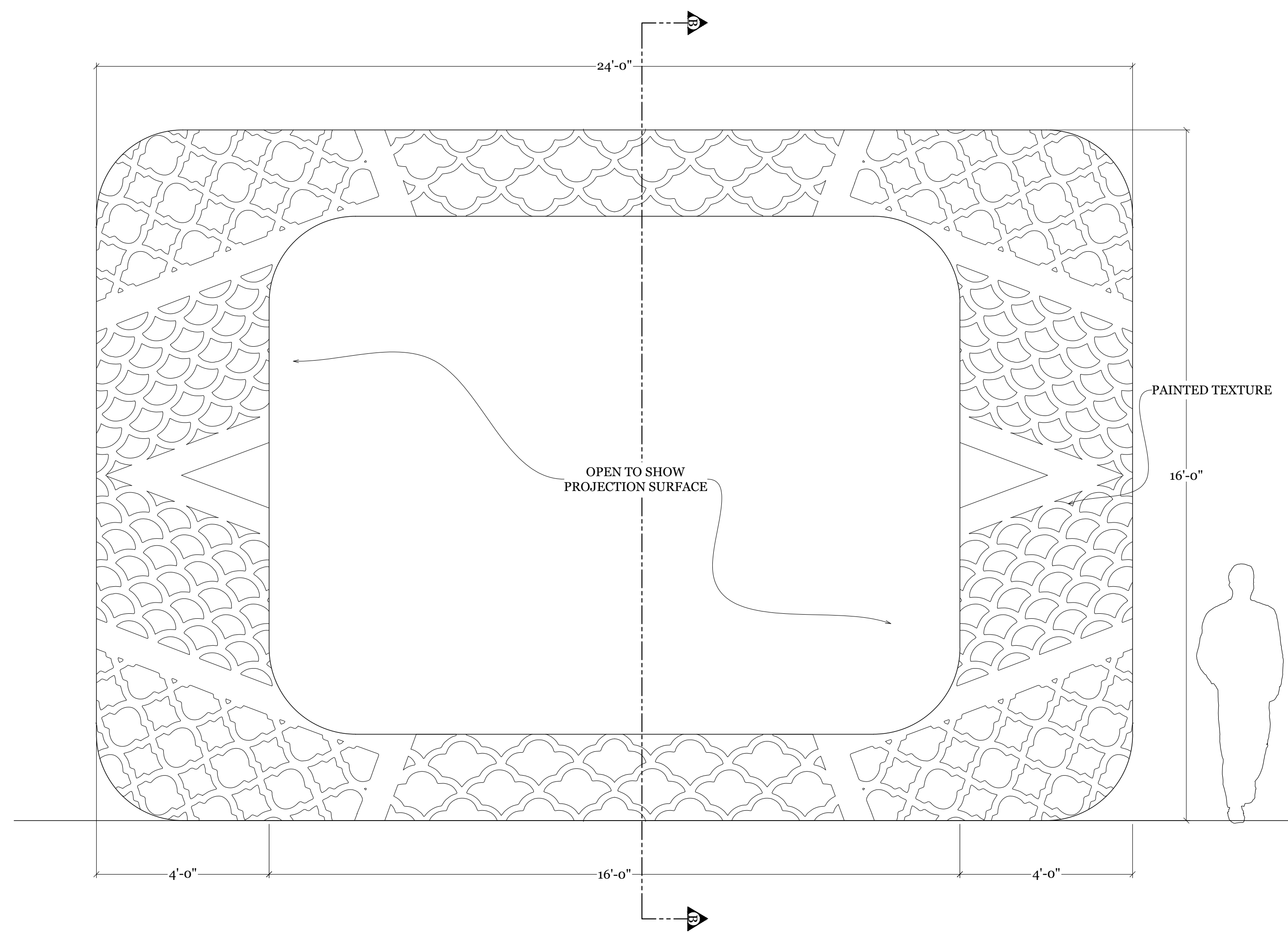
FALSE PROSCENIUM
SECTION A-A

FALSE PROSCENIUM
FRONT ELEVATION

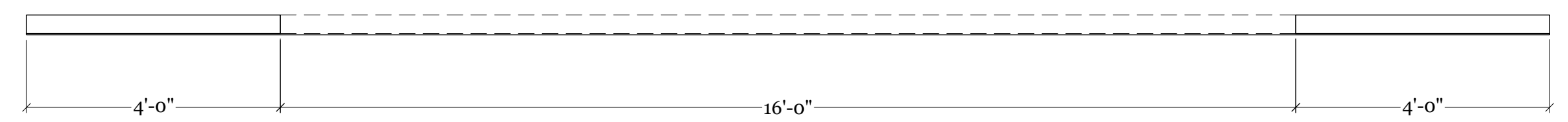


FALSE PROSCENIUM
GROUND PLAN

Plate # <div style="text-align: center; font-size: 2em; font-weight: bold;">4</div> of 6	Pinkalicious FLORIDA STATE UNIVERSITY RICHARD G. FALLON THEATRE	
	FALSE PRO	SCALE 1/2" = 1'-0"
DIRECTOR: CHRISTOPHER NUNEZ DRAWINGS BY: ANDREA BALL		DESIGNER: ANDREA BALL Revision: 04-23-18

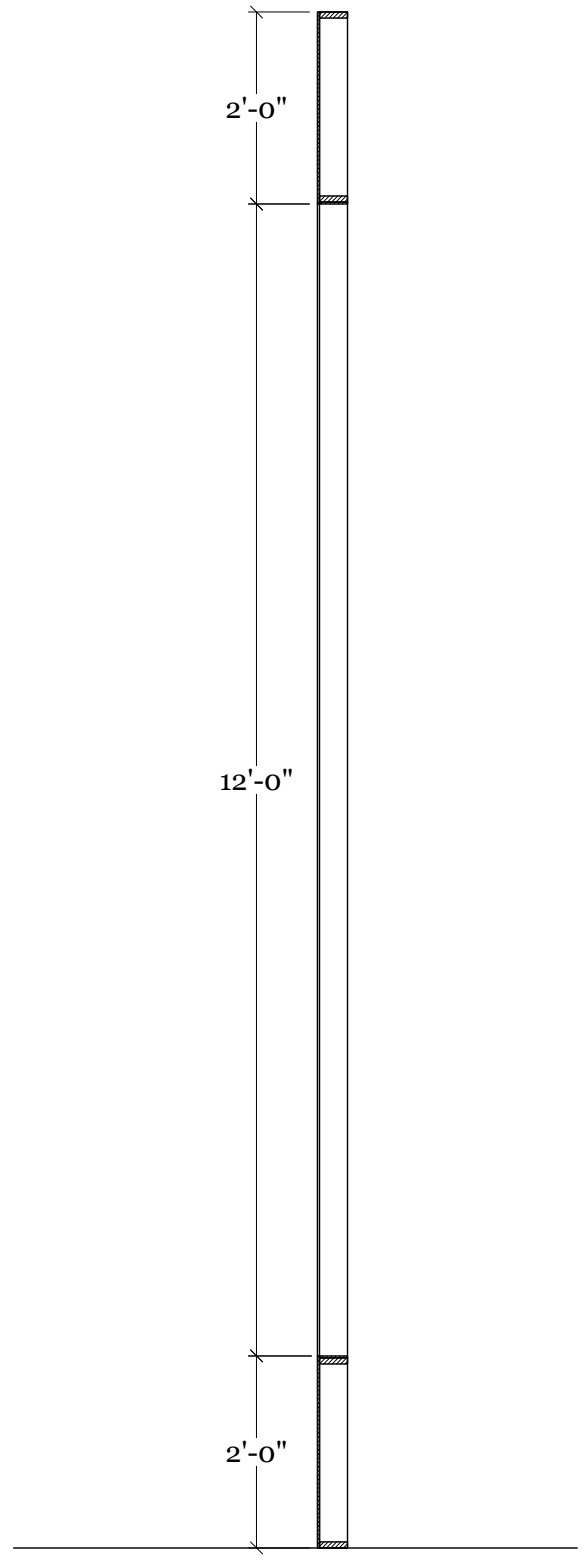


PORTAL
FRONT ELEVATION

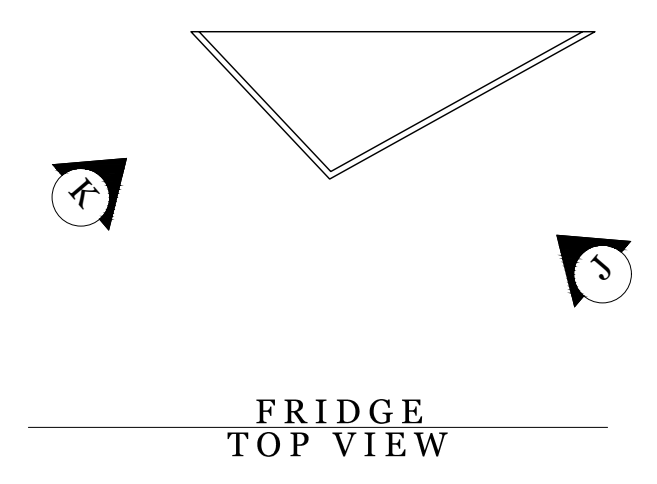


PORTAL
GROUND PLAN

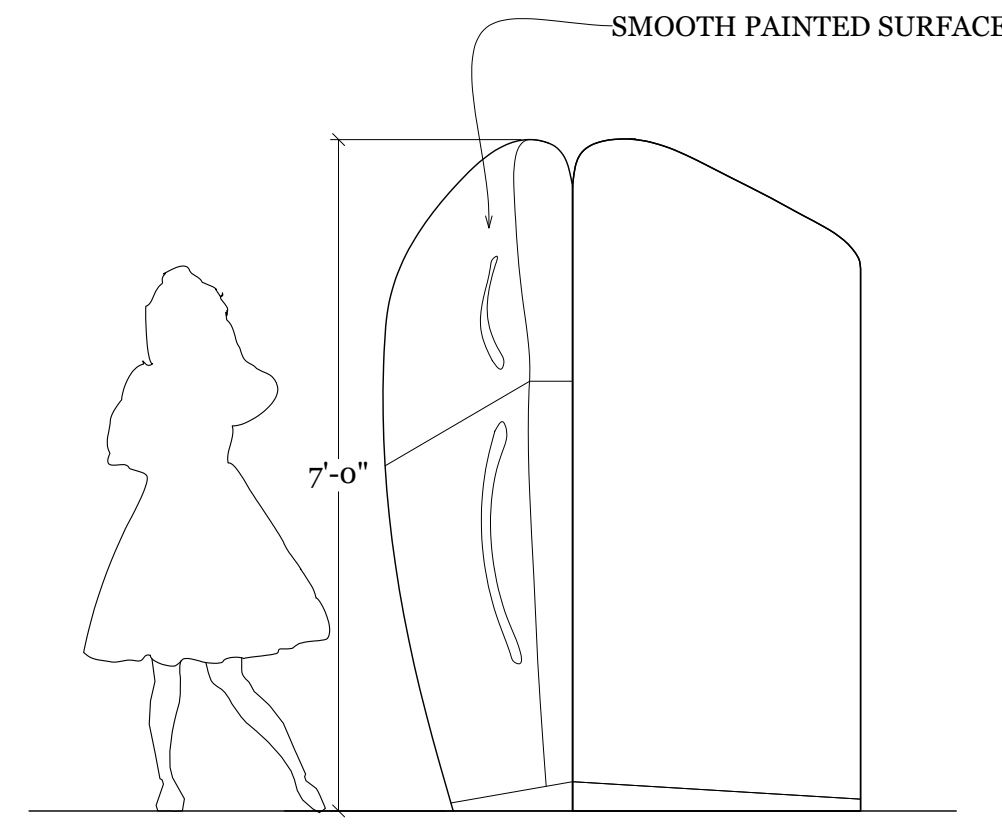
- NOTES:
 1. INSIDE OF PORTAL HAS A REVEAL.
 2. ALL TEXTURE IS PAINTED.
 3. SEE DESIGNER FOR QUESTIONS.



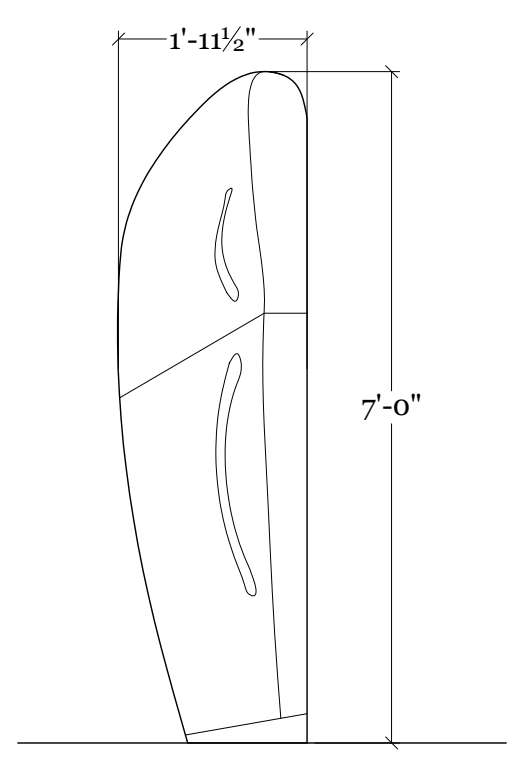
PORTAL
SECTION B-B



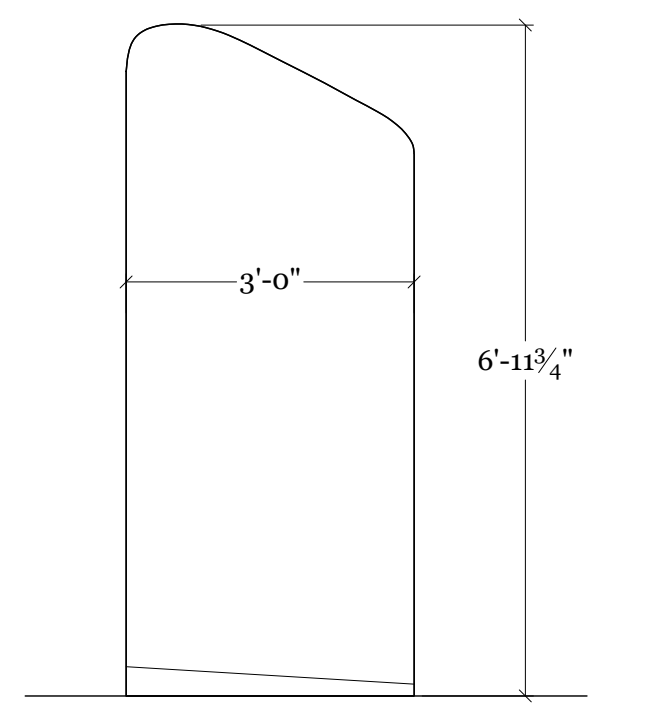
FRIDGE
TOP VIEW



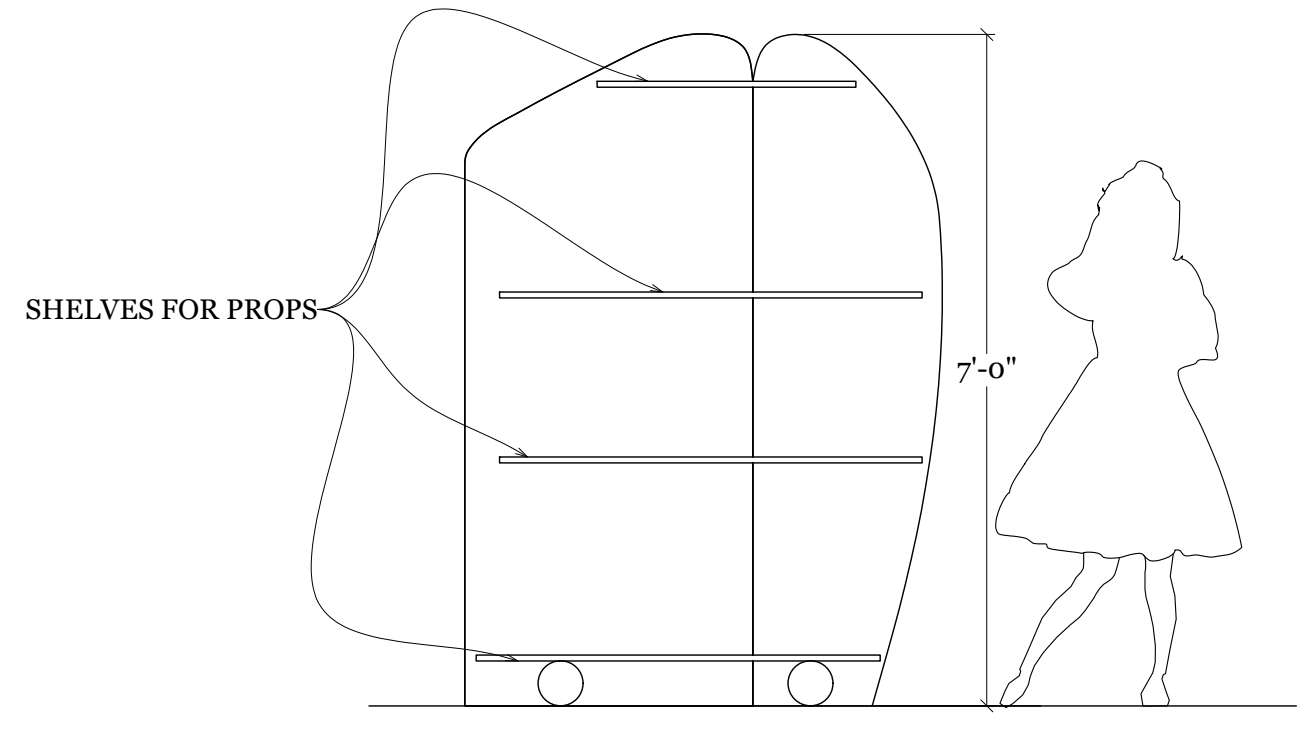
FRIDGE
EXTENDED ELEVATION



FRIDGE
FRONT ELEVATION (K)



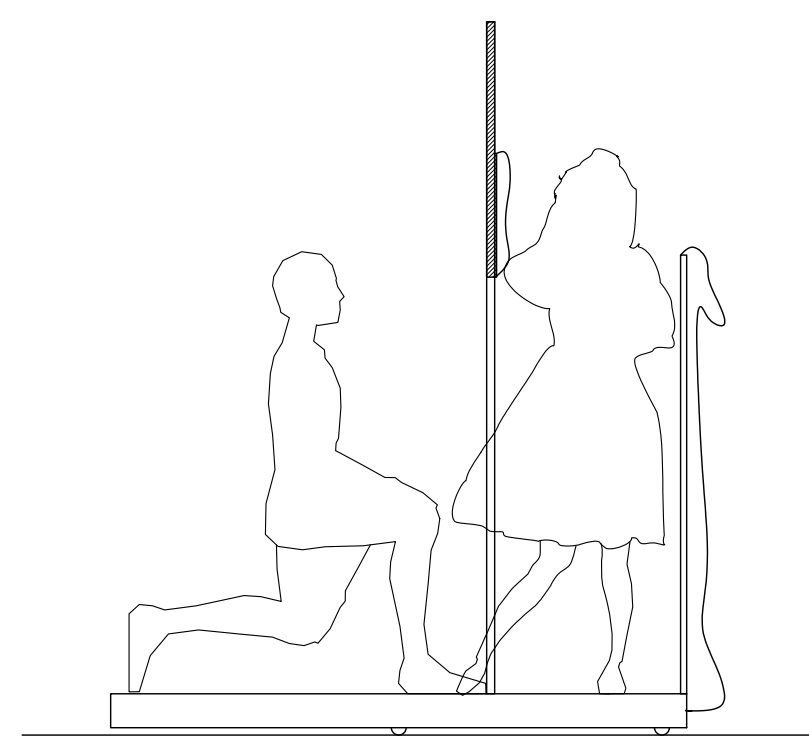
FRIDGE
FRONT ELEVATION (J)



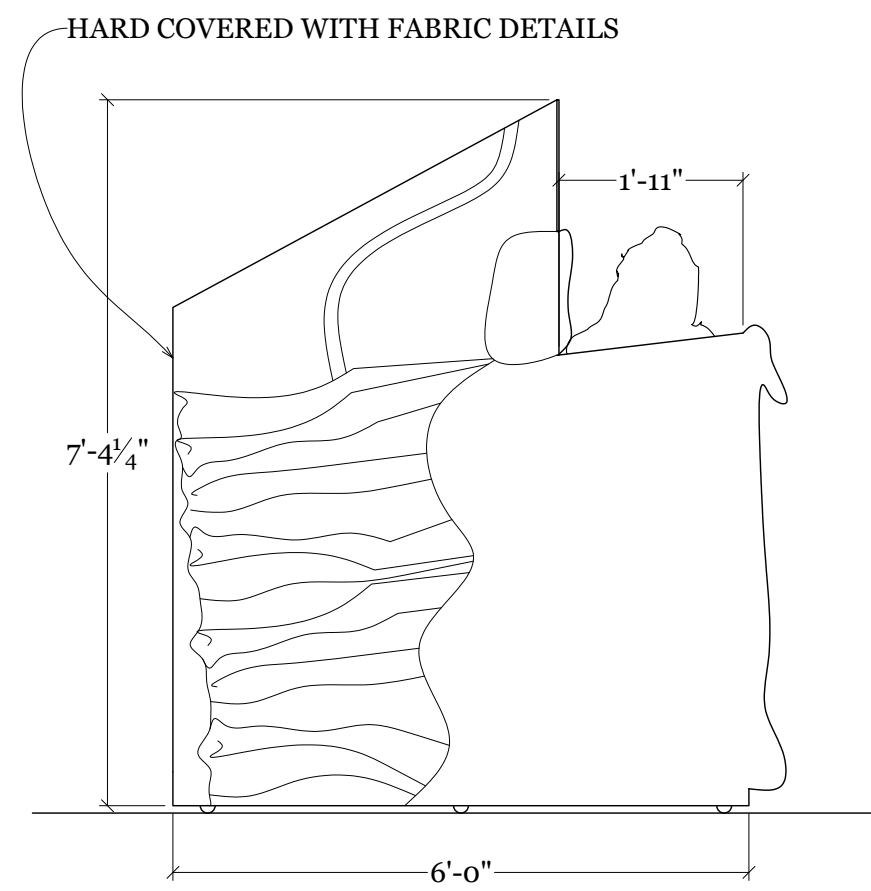
BACK OF FRIDGE
EXTENDED ELEVATION

- NOTES:
 1. HANDLE OF FRIDGE SHOULD BE DIMENSIONAL.
 2. SHELF ON TOP TO HOLD CUPCAKES TRAY.
 3. OTHER SHELF PLACEMENT APPROXIMATE.
 4. SEE DESIGNER FOR QUESTIONS.

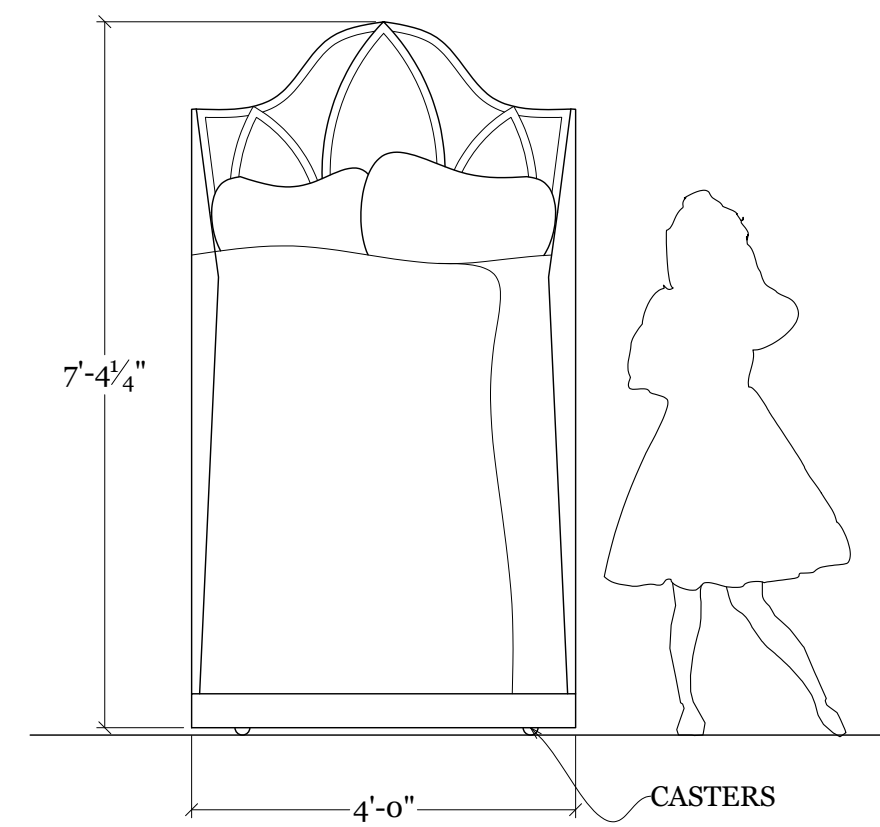
Plate # 5 of 6	Pinkalicious FLORIDA STATE UNIVERSITY RICHARD G. FALLON THEATRE	
	PORTAL & FRIDGE	SCALE 1/2" = 1'-0"
DIRECTOR: CHRISTOPHER NUNEZ DRAWINGS BY: ANDREA BALL	DESIGNER: ANDREA BALL Revision: 04-23-18	



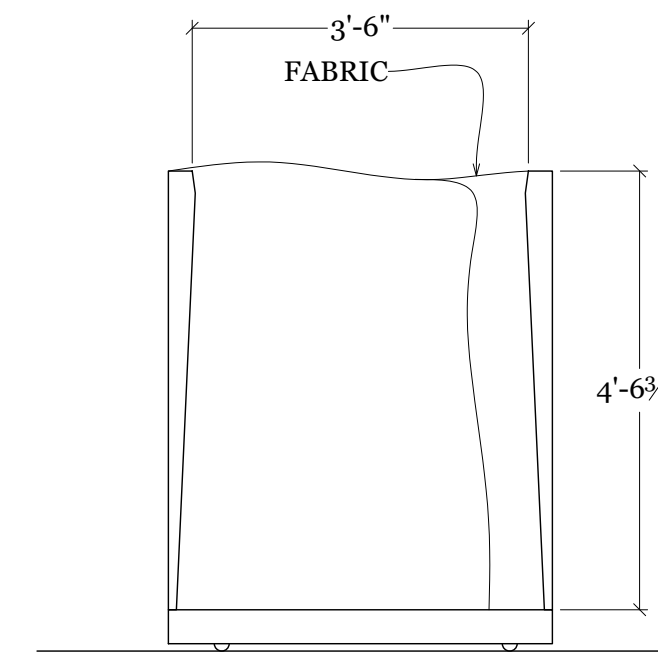
BED - NO FACING
SIDE VIEW



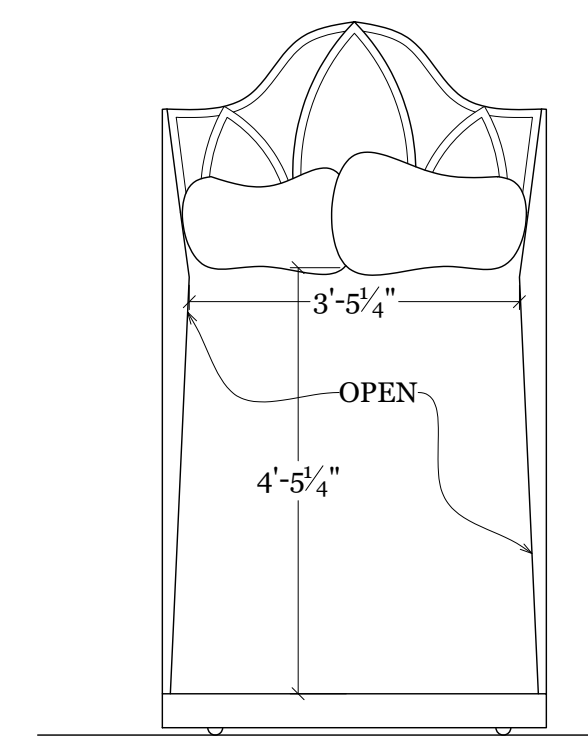
BED
SIDE VIEW



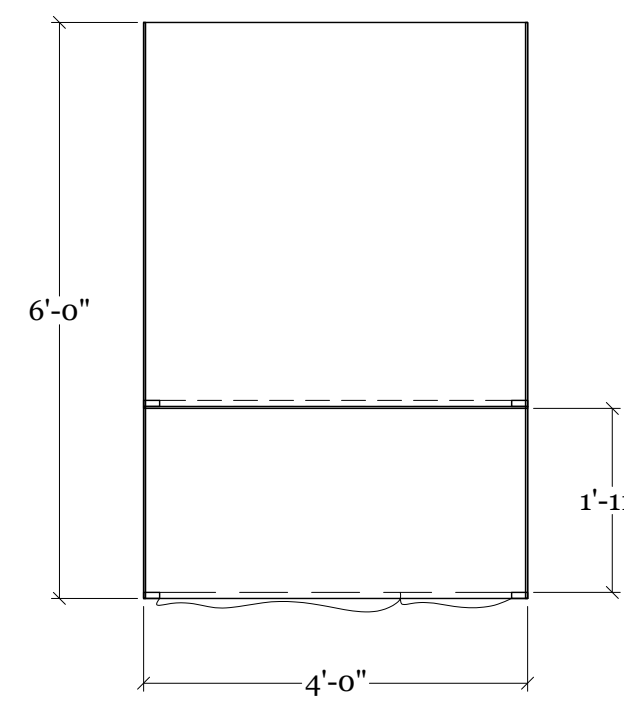
BED
FRONT ELEVATION



BED - FIRST LAYER
FRONT ELEVATION



BED - SECOND LAYER
FRONT ELEVATION

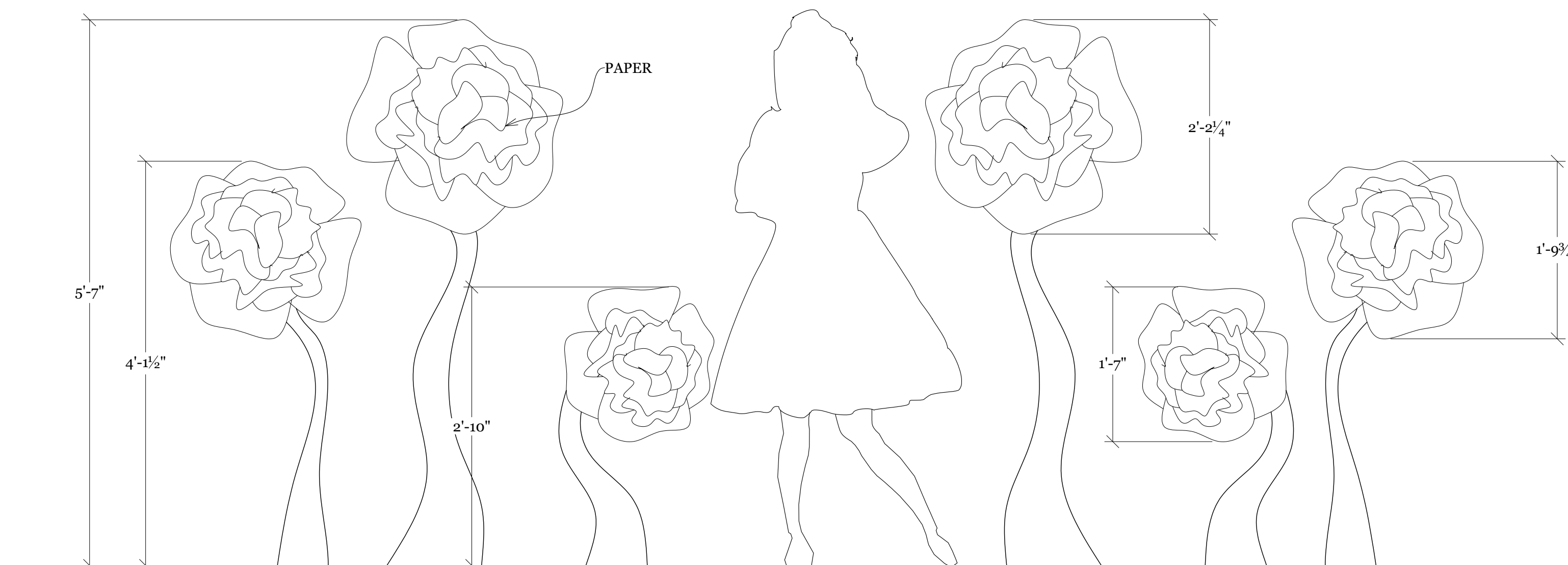


BED
GROUND PLAN

NOTES:
1. FABRIC TEXTURE AND BED FRAME DETAIL SHOULD BE DIMENSIONAL.
2. UNIT MUST ROLL.
3. SEE DESIGNER FOR QUESTIONS.

BED
SCALE $\frac{1}{2}'' = 1'0''$

FLOWERS
SCALE $1'' = 1'0''$



FLOWERS
FRONT ELEVATION

NOTES:
1. FLOWER SIZE IS APPROXIMATE.
2. FLOWERS MUST BE ABLE TO STAND ON THEIR OWN.
3. TOTAL OF 6 FLOWERS.
4. EACH FLOWER CAN BE UNIQUE, EXACT COPIES NOT NECESSARY.
5. SEE DESIGNER FOR QUESTIONS.

Plate # 6 of 6	Pinkalicious FLORIDA STATE UNIVERSITY RICHARD G. FALLON THEATRE
	BED UNIT AND FLOWERS SCALE AS MARKED DIRECTOR: CHRISTOPHER NUNEZ DESIGNER: ANDREA BALL DRAWINGS BY: ANDREA BALL Revision: 04-23-18